

DH-PFB201W

Wall Mount Bracket



Features

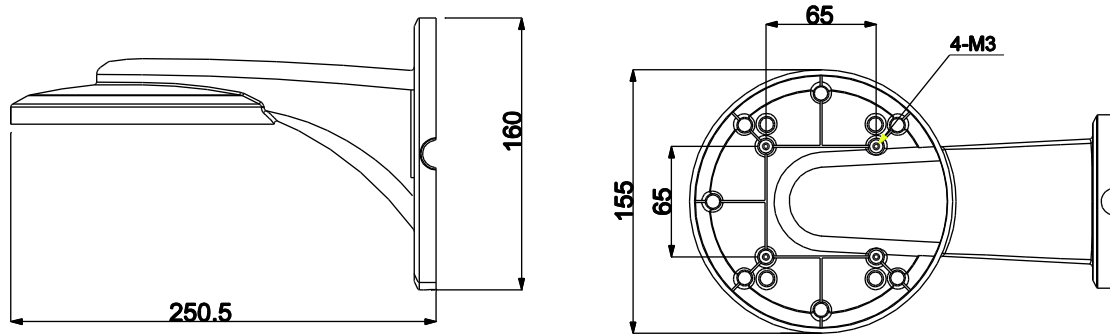
- Material: Aluminum
- Wall Mount Bracket
- Neat & Integrated design

Specifications

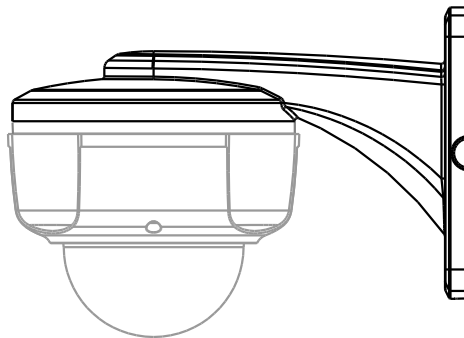
Model	DH-PFB201W
General	
Material	Aluminum
Dimension (W x H x D)	250.5mm(W) x 160mm(H) x 155mm(D)
Pipe Thread	N/A
Operating Temperature	-40°C ~60°C
Humidity	0~90% RH
Load Bearing	2.0Kg
Weight	0.65kg
Applicable Model	DH-DB(W)480/581B, DH-DBW481B, DH-HDB(W)3110/3300, DH-HDB(W)3200

DH-PFB201W

Dimensions (mm)



Application



Dahua Technology Co., Ltd.

1199 BinAn Road, Binjiang District, Hangzhou, China

Tel: +86-571-87688883

Fax: +86-571-87688815

Email: overseas@dahuatech.com

www.dahuasecurity.com

*Design and specifications are subject to change without notice.

© 2014 Dahua Technology Co., Ltd.