

DH-PFA152

Pole Mount Bracket



Features

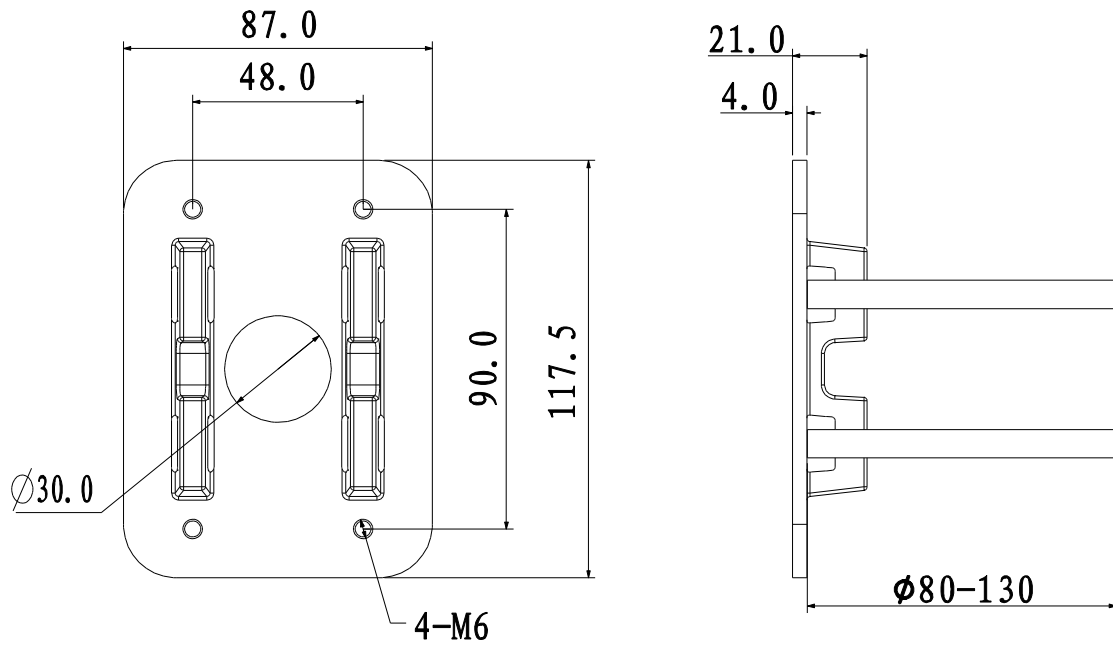
- Material: Aluminum
- Pole Mount Bracket
- Neat & Integrated design

Specifications

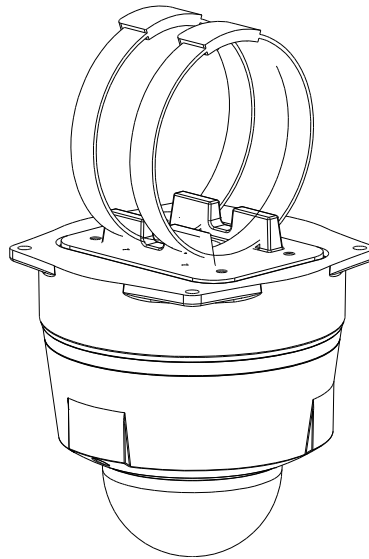
Model	DH-PFA152
General	
Material	Aluminum
Dimension	117.5mm x 87mm x 21mm
Mast Diameter	Φ 80~130mm
Pipe Thread	N/A
Operating Temperature	-40°C ~60°C
Humidity	0~90% RH
Load Bearing	3.0Kg
Weight	0.2Kg

DH-PFA152

Dimensions (mm)



Application



Dahua Technology Co., Ltd.

1199 BinAn Road, Binjiang District, Hangzhou, China

Tel: +86-571-87688883

Fax: +86-571-87688815

Email: overseas@dahuatech.com

www.dahuasecurity.com

*Design and specifications are subject to change without notice.

© 2014 Dahua Technology Co., Ltd.