

DH-PFA13F

Junction Box



Features

- Aesthetic design, indoor
- Material: aluminum alloy +SECC
- Junction box
- Suitable for SD1A/12 series PTZ network cameras

Technical Specification

Model DH-PFA13F

General

Material Aluminum alloy + SECC

Dimension (WxHxD) $\Phi 160\text{mm} \times 41.5\text{mm}$ ($\phi 6.3" \times 1.63"$)

Weight 0.87kg (1.92lb)

Load Bearing 3kg (6.61lb)

Color White

Operating Temperature $-40^{\circ}\text{C} \sim +60^{\circ}\text{C}$ ($-40^{\circ}\text{F} \sim +140^{\circ}\text{F}$)

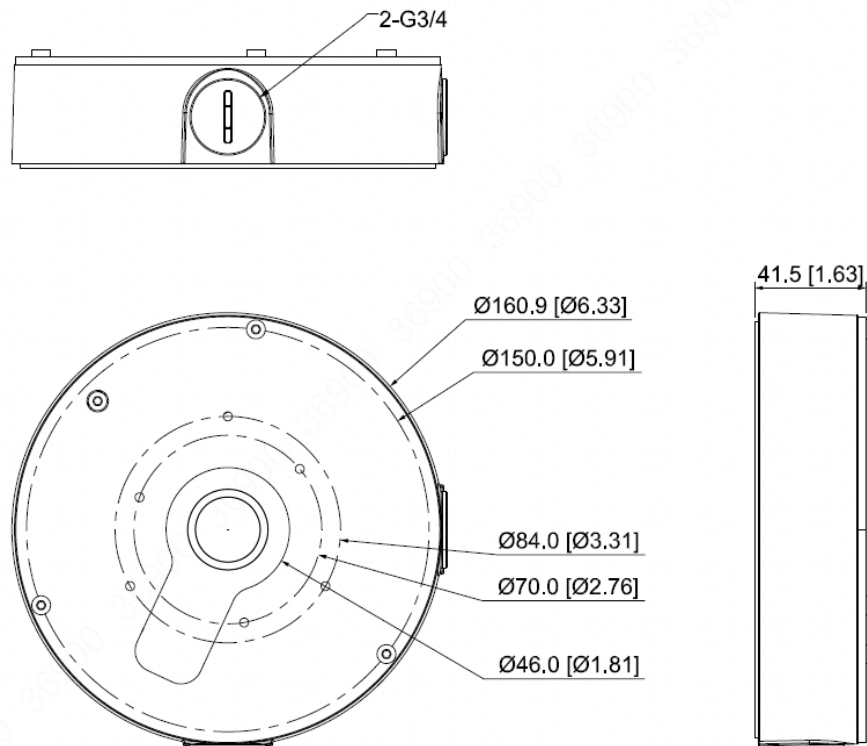
Humidity 0~90% RH

Applicable Model Please see "Accessory Selector" on www.dahuasecurity.com

Ordering Information

Type	Part Number	Description
Camera Mount Series	DH-PFA13F	Junction box
	PFA13F	Junction box

Dimension(mm/inch)



Application



Package Information

- Junction box *1
- M4x8 screw *3
- ST6x45-SUS screw *4
- ST6 plastic anchor *4
- S3.0 wrench *1