

DH-PFA132

Junction Box



Features

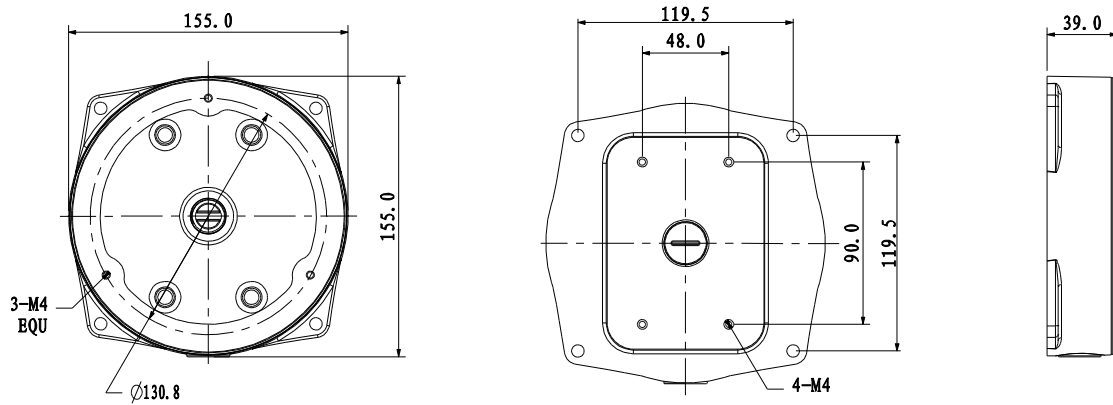
- Material: Aluminum
- Junction Box
- Neat & Integrated design
- Water-proof

Specifications

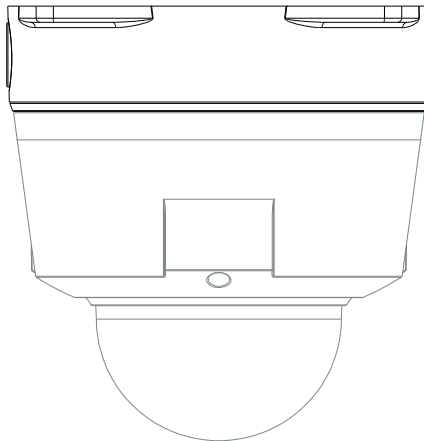
Model	DH-PFA132
General	
Material	Aluminum
Dimension (W x D x H)	155mm x 155mm x 39mm
Pipe Thread	N/A
Operating Temperature	-40°C ~60°C
Humidity	0~90% RH
Load Bearing	3Kg
Weight	0.6Kg

DH-PFA132

Dimensions (mm)



Application



Dahua Technology Co., Ltd.

1199 BinAn Road, Binjiang District, Hangzhou, China

Tel: +86-571-87688883

Fax: +86-571-87688815

Email: overseas@dahuatech.com

www.dahuasecurity.com

*Design and specifications are subject to change without notice.

© 2014 Dahua Technology Co., Ltd.