

DH-PFA131

Junction Box



Features

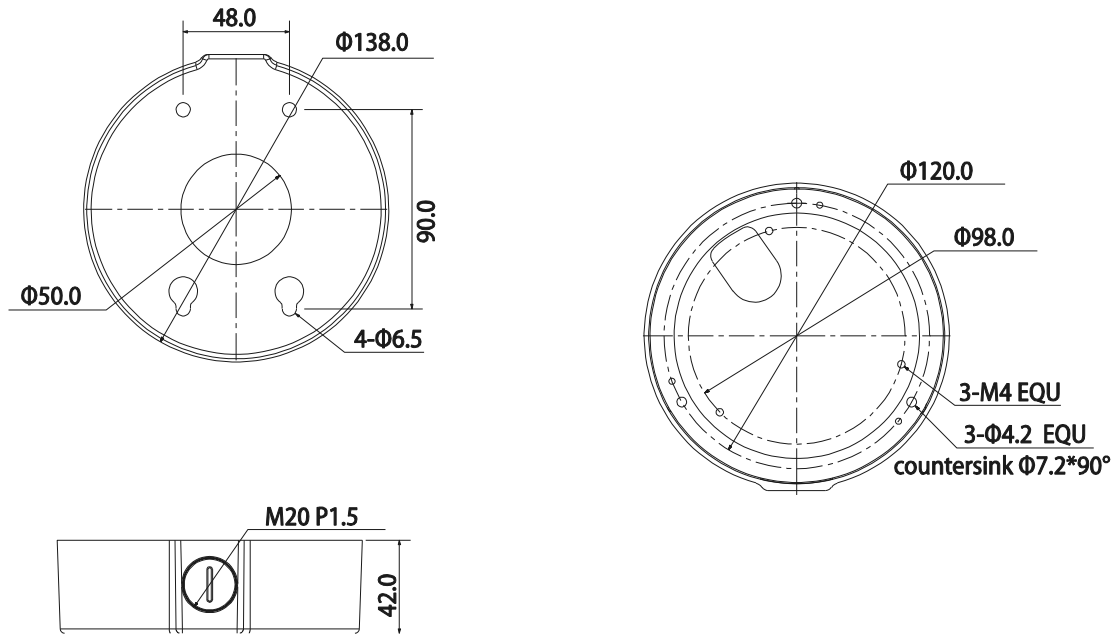
- Material: Aluminum & SECC
- Junction Box
- Neat & Integrated design

Specifications

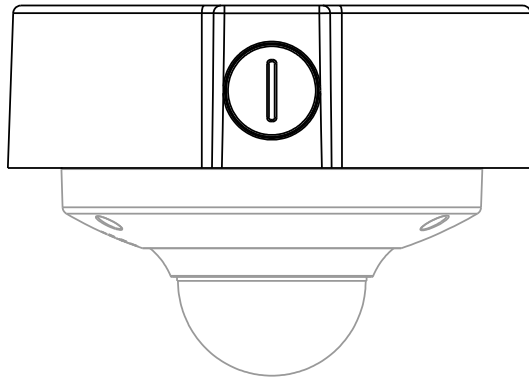
Model	DH-PFA131
General	
Material	Aluminum & SECC
Product Dimension	138mm(L) x 42mm(W)
Pipe Thread	N/A
Operating Temperature	-40°C ~60°C
Humidity	0~90% RH
Load Bearing	3.0Kg
Weight	0.38kg
Applicable Model	CA-DB480C, IPC-HD2100, IPC-HDB(C)

DH-PFA131

Dimensions (mm)



Application



*Design and specifications are subject to change without notice.

© 2013 Dahua Technology Co., Ltd.