

DH-PFA130

Junction Box



Features

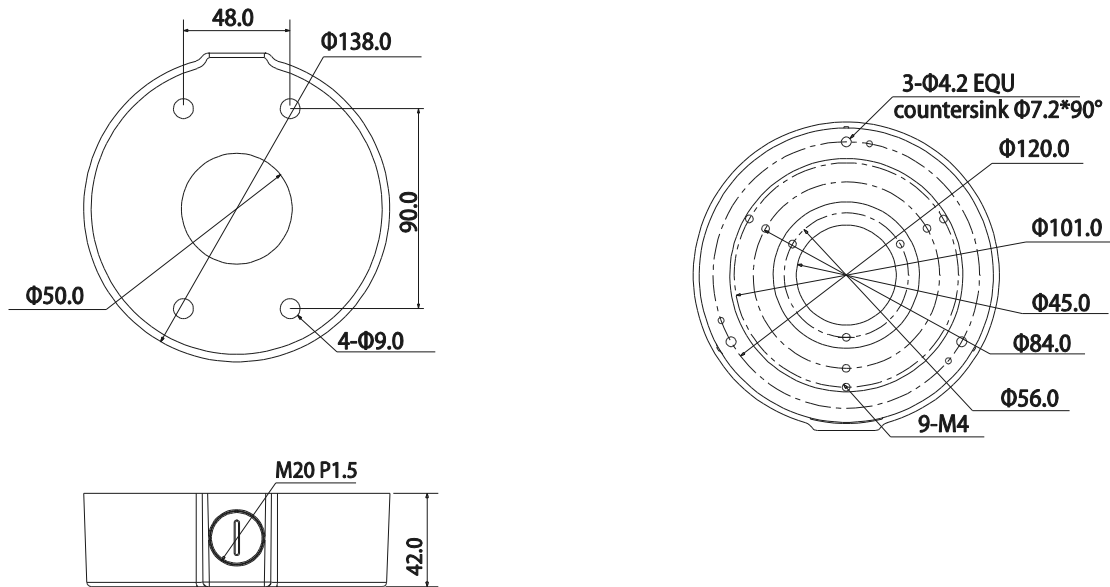
- Material: Aluminum & SECC
- Junction Box
- Neat & Integrated design

Specifications

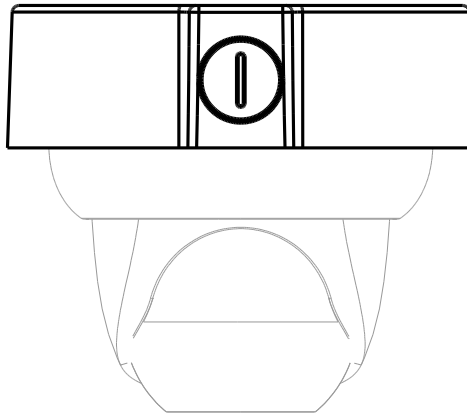
Model	DH-PFA130
General	
Material	Aluminum & SECC
Product Dimension	138mm(L) x 42mm(W)
Pipe Thread	N/A
Operating Temperature	-40°C ~60°C
Humidity	0~90% RH
Load Bearing	3.0Kg
Weight	0.38kg
Applicable Model	CA-FW(G), CA-DW(E/F/H/I/M), HAC-HFW(S), HAC-HDW(C/D/S), HAC-HDW1100, HDC-HDW2200S, HDC-HFW(C/S), IPC-HFW(C/S), IPC-HDW(C/S), IPC-HDW2100

DH-PFA130

Dimensions (mm)



Application



Dahua Technology Co., Ltd.

1187 BinAn Road, Binjiang District, Hangzhou, China

Tel: +86-571-87688883

Fax: +86-571-87688815

Email: overseas@dahuatech.com

www.dahuasecurity.com

*Design and specifications are subject to change without notice.

© 2013 Dahua Technology Co., Ltd.