

# DH-PFA120-SG

Junction box



- Aluminum alloy material
- Matched with particular cameras, beautiful and elegant designed



## Scene

Suitable for camera mounting with operating temperature from  $-40^{\circ}\text{C}$  to  $+60^{\circ}\text{C}$  ( $-40^{\circ}\text{F}$  to  $+140^{\circ}\text{F}$ ) and relative humidity less than 90%.

## Technical Specification

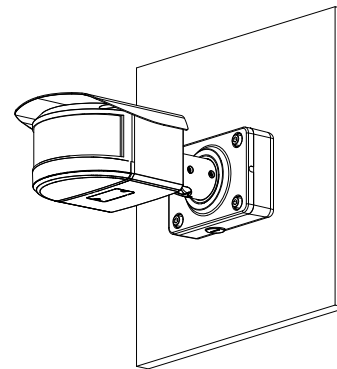
### Performance

Model	DH-PFA120-SG
Material	Aluminum alloy
Product Dimensions	115.0 mm × 160.0 mm × 38.8 mm (4.53" × 6.30" × 1.53") (L × W × H)
Net Weight	0.53 kg (1.17 lb)
Load Bearing	7.0 kg (15.43 lb)
Operating Temperature	$-40^{\circ}\text{C}$ to $+60^{\circ}\text{C}$ ( $-40^{\circ}\text{F}$ to $+140^{\circ}\text{F}$ )
Operating Humidity	<90% (RH)
Color	Silver gray
Applicable Camera	Please see "Accessory Selection"

## Ordering Information

Type	Model	Description
Camera Mount	DH-PFA120-SG	Junction box

## Installation



## Dimensions (mm/inch)

