

# DH-PFA109

## Mount Adapter



- Aluminum alloy material
- Matched with particular cameras, beautiful and elegant designed



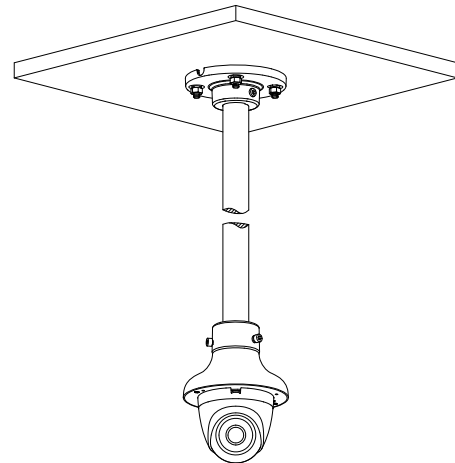
### Scene

Suitable for camera mounting with operating temperature from  $-40^{\circ}\text{C}$  to  $+60^{\circ}\text{C}$  ( $-40^{\circ}\text{F}$  to  $+140^{\circ}\text{F}$ ) and relative humidity less than 90%.

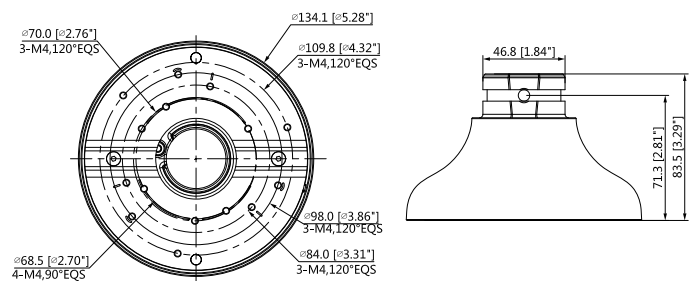
### Technical Specification

Model	DH-PFA109
Material	Aluminum alloy
Dimensions	134.1 mm × 134.1 mm × 83.5 mm (5.28" × 5.28" × 3.29") (L × W × H)
Weight	0.3 kg (0.66 lb)
Load Bearing	1.0 kg (2.2 lb)
Operating Temperature	$-40^{\circ}\text{C}$ to $+60^{\circ}\text{C}$ ( $-40^{\circ}\text{F}$ to $+140^{\circ}\text{F}$ )
Operating Humidity	<90% (RH)
Color	White
Applicable Camera	Please see "Accessory Selection"

### Installation



### Dimensions (mm[inch])



### Ordering Information

Type	Model	Description
Camera Mount	DH-PFA109	Mount Adapter