

DHI-NVR3204/3208/3216

4/8/16 Channel 1U Network Video Recorder



Features

- > Up to 4/8/16 channel with 1080p realtime live view
- > H.264/MJPEG dual codec decoding
- > Max 120fps@1080p, 240fps@720p, 480fps@D1 preview & recording
- > HDMI / VGA simultaneous video output
- > All channel synchronous realtime playback, GRID interface
- > Support Multi-brand network cameras: Dahua, Arecont Vision, AXIS, Bosch, Brickcom, Canon, CP Plus, Dynacolor, Honeywell, Panasonic, Pelco, Samsung, Sanyo, Sony, Videosec, Vivotech and etc.
- > ONVIF Version 2.0 conformance
- > 3D intelligent positioning with Dahua PTZ camera
- > Support 2 SATA HDDs up to 8TB, 2 USB2.0
- > Multiple network monitoring: Web viewer, CMS(DSS/PSS) & DMSS

DHI-NVR3204/3208/3216

Technical Specifications

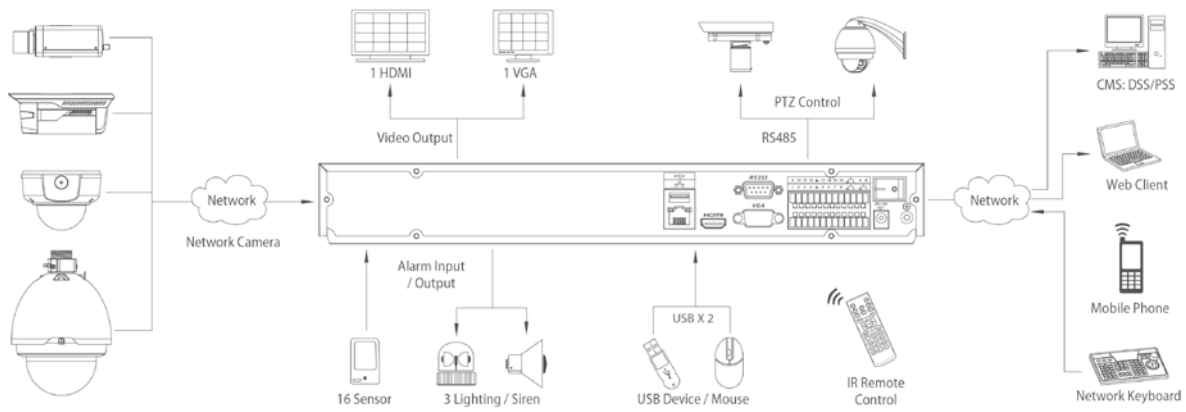
Model	DHI-NVR3204	DHI-NVR3208	DHI-NVR3216
System			
Main Processor	Dual-core embedded processor		
Operating System	Embedded LINUX		
Video			
IP Camera Input	4 channel	8 channel	16 channel
Two-way Talk	1channel Input, 1channel Output, BNC		
Display			
Interface	1 HDMI, 1 VGA		
Resolution	1920×1080, 1280×1024, 1280×720, 1024×768 & etc.		
Display Split	1/4	1/4/8/9	1/4/8/9/16
OSD	Camera title, Time, Video loss, Camera lock, Motion detection, Recording		
Recording			
Compression	H.264 / MJPEG		
Resolution	1080p(1920×1080) / 720p(1280×720) / D1 (704×576/704×480) & etc.		
Record Rate	100/120fps@1080p, 200/240fps@720p, 400/480fps@D1 & etc.		
Bit Rate	48~ 8192kbps		
Record Mode	Manual, Schedule(Regular(Continuous), MD, Alarm), Stop		
Record Interval	1~120 min (default: 60 min), Pre-record: 1~30 sec, Post-record: 10~300 sec		
Video Detection & Alarm			
Trigger Events	Recording, PTZ, Tour, Alarm, Video Push, Email, FTP, Buzzer & Screen tips		
Video Detection	Motion Detection, MD Zones: 396(22×18), Video Loss & Camera Blank		
Alarm Input	4 channel	8 channel	16 channel
Relay Output	3 channel		
Playback & Backup			
Sync Playback	1/4	1/4/9	1/4/9/16
Search Mode	Time/Date, Alarm, MD & Exact search (accurate to second), Smart search		
Playback Function	Play, Pause, Stop, Rewind, Fast play, Slow play, Next file, Previous file, Next camera, Previous camera, Full screen, Repeat, Shuffle, Backup selection, Digital zoom		
Backup Mode	USB Device / Network		
Network			
Ethernet	RJ-45 port (10/100M/1000M)		
Network Function	HTTP, TCP/IP, IPv4/IPv6, UPNP, RTSP, UDP, SMTP, NTP, DHCP, DNS, IP Filter, PPPOE, DDNS, FTP, Alarm Server, IP Search(Support Dahua IP camera, DVR, NVS and etc.)		
Max. User Access	20 users		
Smart Phone	iPhone, iPad, Android, Windows Phone		
Storage			
Internal HDD	2 SATA ports, up to 8TB, Raid (redundancy)		
Auxiliary Interface			
USB	2 ports (1 Rear), USB2.0		

DHI-NVR3204/3208/3216

RS232	1 port, For PC communication & Keyboard
RS485	1 port, For PTZ control
General	
Power Supply	DC12V/3.3A
Power Consumption	20W (without HDD)
Working Environment	-10 ~ +55°C / 10~90%RH / 86~106kpa
Dimension (W×D×H)	1U, 375mm×285mm×50mm
Weight	2.3KG (without HDD)

DHI-NVR3204/3208/3216

System Connection



Take NVR3216 as an example

Dahua Technology Co., Ltd.

1187BinAn Road, Binjiang District, Hangzhou, China

Tel: +86-571-87688883

Fax: +86-571-87688815

Email: overseas@dahuatech.com

www.dahuatech.com

*Design and specifications are subject to change without notice.

© 2013 Dahua Technology Co., Ltd.

<https://boutique.idms.fr>