

LH-650IC

Outdoor Triple-Tech PIR Detector



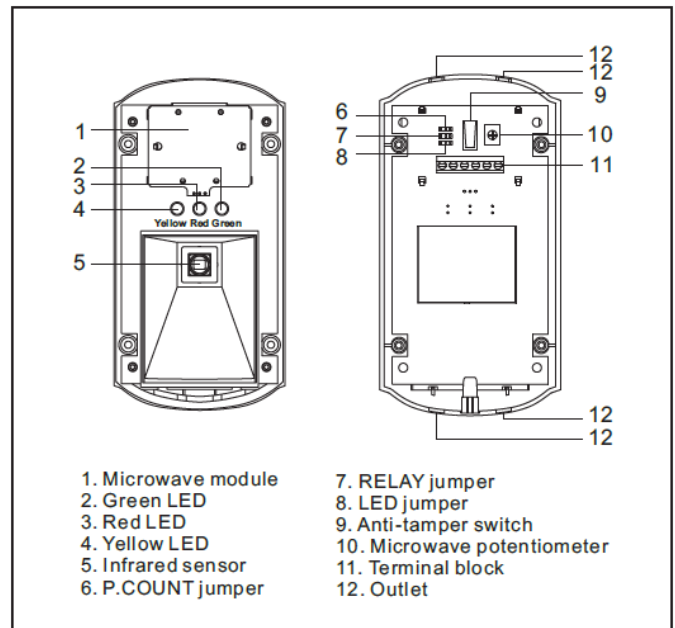
Features

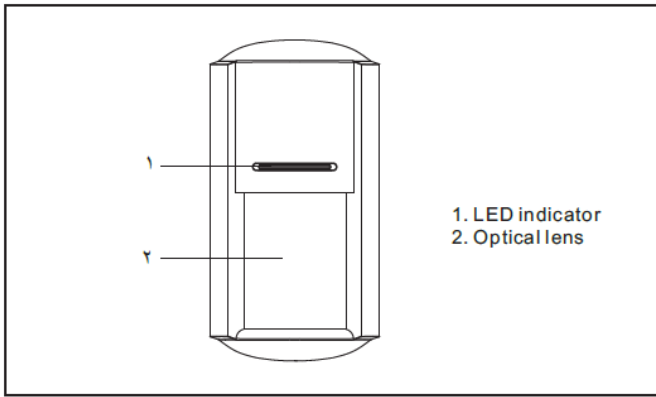
- Microwave using X-Band patch antenna
- Waterproof function for outdoor environment IP55
- Pet immunity 20kg
- Full-sealed, pest immunity
- Using Doppler effect and energy analysis
- Special optical filter lens, white light immunity 10000 Lux
- Temperature auto-compensation, avoiding false alarm
- Microwave detection range adjustable
- Pulse count optional
- LED on/off optional
- Alarm output N.C./N.O. optional

Technical Specification

Detection Range/Angle	12m/110°
Microwave Frequency	10.525 GHz
Mounting Type	Wall mount
Installation Height	2.2m
Pet Immunity	20kg
Relay Output	N.C./N.O. optional
Tamper Switch	N.C.
White Light Immunity	10000LUX
Dimension	153mmx80mmx58mm
Working Voltage	DC9-16V
Operation Current	<30mA
Working Temperature	-25°C~+55°C
Material	ABS plastic

General View





Detecting Range

