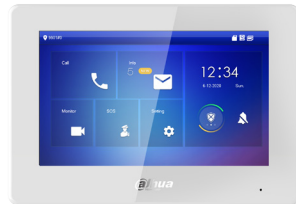


DHI-KTP04

IP Villa Door Station



Technical Specification

DHI-VTO2201F-P

System

Main Processor	Embedded processor
Operating System	Embedded Linux Operation System
Button Type	Mechanical
Interoperability	ONVIF; CGI
Network Protocol	SIP; P2P; IPv4; UPnP; SNMP; DNS; DDNS; RTSP; RTP; TCP; UDP

Basic

Camera	1/2.9" 2MP CMOS Low Illumination HD Colorful Camera
Field of View	Horizontal: 138.6°; vertical: 79.6; diagonal: 159°
Focal Length	2.0 mm
WDR	120 dB
Noise Reduction	3D NR
Video Compression	H.265
Video Resolution	50Hz: Main Stream (720P@25 fps), sub stream (1080P@25 fps) 60Hz: Main Stream (720P@30 fps), sub stream (1080P@30 fps)
Video Frame Rate	25 fps
Video Bit Rate	256 Kbps to 8 Mbps

DHI-VTO2201F-P

- Anodized aluminum front panel
 - CMOS low illumination 2MP HD colorful 140° camera
 - Video intercom function
 - Access control function that supports two locks
 - Mobile phone app, talk to the visitor or unlock the door remotely on your phone
 - Support H.265
 - Support surface and flush mount
 - PoE
 - IK07&IP65
- #### IP Indoor Monitor
- 2.5D screen glass
 - 7" TFT capacitive touch screen
 - 6-channel alarm input and 1-channel alarm output
 - Supports standard PoE
 - H.265 video coding (H.264 by default)
 - SOS alarm
 - Supports daisy chain topology



Light Compensation	Auto IR
Day/Night	Auto (ICR)
Audio Compression	G.711a; G.711u; PCM
Audio Input	1 channel
Audio Output	Built-in speaker
Audio Mode	2-way voice communication
Audio Enhancement	Echo suppression/digital noise reduction
Audio Bit Rate	16 KHz, 16 Bit
Status Indicator Light	3

Port

Electric Lock	1
Alarm Output	1
Power Output	1-ch 12 VDC 100mA
Exit Button	1

Door Status Detection	1
Lock Control	1
Network Port	One RJ45 10M/100M network port

General

Appearance color	Silver
Power Supply	DC 24V 1A Standard PoE
Power Adapter	Optional
Installation	Flush mount
Certifications	CE; FCC; UL
Product Dimensions	130 mm × 96 mm × 28.5 mm (5.12" × 3.78" × 1.12")
Protection	IK07; IP65
Operating Temperature	-30°C to +60°C (-22°F to 140°F)
Operating Humidity	10%–90% (RH, non-condensing)
Operating Altitude	0 m–3000 m
Power Consumption	≤ 8W
Net Weight	0.35 kg (0.77 lb)
Gross Weight	0.4 kg (0.88 lb)

DHI-VTH5421HW-P

System

Main Processor	Embedded processor
Operating System	Embedded Linux Operation System
Button Type	Touch keypad
Interoperability	ONVIF
Network Protocol	SIP; IPv4; RTSP; RTP; TCP; UDP
ROM	128 MB
RAM	128 MB
CPU	Dual-core 1.2 GHz

Basic

Screen Type	Capacitive
Display Screen	7-inch TFT
Resolution	1024 × 600
Audio Compression	G.711a; G.711u; PCM
Audio Input	1
Audio Output	Built-in speaker
Audio Mode	2-way voice communication
Audio Enhancement	Echo suppression
Audio Bit Rate	16 KHz, 16 Bit

Communication Mode	Full digital
Information Release	Supports viewing text announcement from the center (insert an SD card to receive and view pictures)
Leave Videos	Yes (SD card inserted in VTH is needed)
Storage	Extensible 64 GB Micro SD card

Port

RS-485	1
Alarm Input	6
Alarm Output	1
Power Output	1, 12V/100mA
Door Bell	Yes, reusing any alarm input port
Network Port	One 10 Mbps/100 Mbps Ethernet port

General

Casing	PC + ABS
Appearance color	White
Power Supply	DC 12V 1A Standard Poe
Power Adapter	Optional
Installation	Surface mount
Certifications	CE; FCC; UL
Accessory	Bracket (standard) Alarm ribbon cable (standard)
Product Dimensions	189.0 mm × 130.0 mm × 26.9 mm (7.44" × 5.12" × 1.06")
Operating Temperature	-10°C to +55°C (14°F to 131°F)
Operating Humidity	10%–95% (RH, non-condensing)
Operating Altitude	0 m–3000 m
Power Consumption	Standby ≤ 2W, working ≤ 6W
Net Weight	0.388 kg (0.86 lb)
Gross Weight	0.74 kg (1.63 lb)

PFS3005-4ET-60

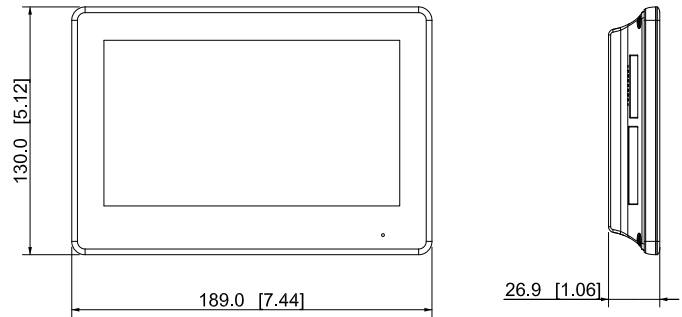
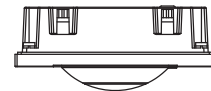
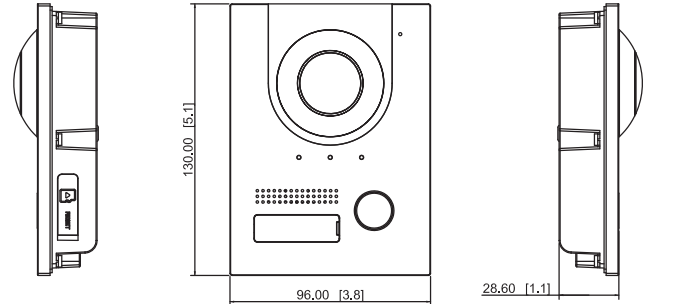
General

Network Port	Port 1-4: RJ45 10/100 M (PoE) Port 5: RJ45 10/100 M (uplink)
Appearance color	black
Power Supply	External power adapter: DC 48V–57V
Power Adapter	Standard
Certifications	CE; FCC; UL
Product Dimensions	130 mm × 85 mm × 26 mm (5.12" × 3.35" × 1.02")
Operating Temperature	-10°C to +55°C (14°F to 131°F)
Operating Humidity	5%–95% (RH, non-condensing)

DHI-KTP04

Operating Altitude	0 m–3000 m
Net Weight	0.29 kg (0.64 lb)

Dimensions (mm[inch])



Relevant Products

DHI-KTP04(S)



DHI-VTH5421HW



PFS3005-4ET-60



DHI-VTO2201F-P



VTM115(Surface mounted)

DHI-KTP04(F)



DHI-VTH5421HW



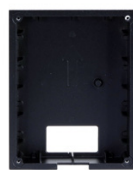
PFS3005-4ET-60



DHI-VTO2201F-P



VTM114
(Flush mounted, Front)



VTM114
(Flush mounted, Back)

Application

