

# DHI-KTD01L

## 2-wire IP Villa Door Station & Indoor Monitor



### Technical Specification

DHI-VTO2202F-P-S2

#### System

Main Processor	Embedded processor
Operating System	Embedded Linux Operation System
Button Type	Mechanical
Interoperability	ONVIF; CGI
Network Protocol	RTSP;RTMP;HTTP/HTTPS;DNS; UPnP;RTP;SIP;SSH; ONVIF ;P2P

#### Basic

Camera	1/2.5" 2MP CMOS Low Illumination HD Colorful Fisheye Camera
Field of View	Horizontal: 160°; vertical: 87.1; diagonal:176.7°
Focal Length	1.9 mm
WDR	120 dB
Noise Reduction	3D NR
Video Compression	H.265
Video Resolution	50Hz: Main Stream (720P@25 fps), sub stream (1080P@25 fps) 60Hz: Main Stream (720P@30 fps), sub stream (1080P@30 fps)

#### Port

RS485	1
Alarm Output	1

### 2-wire IP Villa Door Station

- Anodized aluminum front panel
- CMOS low illumination 2MP HD colorful 160° fisheye camera
- Video intercom function
- Access control function that supports for two locks
- Use the app to talk to visitors or unlock the door remotely on your phone
- Compatible with 2-wire and RJ45 interfaces
- IK07 & IP65
- Supports H.265 incoding
- Support surface and flush mount
- PoE

### IP Indoor Monitor

- 2.5D screen glass
- 7" TFT capacitive touch screen
- 6-channel alarm input and 1-channel alarm output
- Supports standard PoE or power over 2-wire switch
- H.265 video coding (H.264 by default)
- Supports 2-wire digital communication
- Supports daisy chain topology

### 2-wire Switch

- Supports connecting through RJ45 port
- Supports guide rail mount



Power Output	1-ch 12 VDC 100mA
Exit Button	1
Door Status Detection	1
Lock Control	1
Network Port	One RJ45 10M/100M network port

### General

Appearance color	Silver
Power Supply	Dahua 2-wire switch (max. power supply distance 50 m) DC 48V 1A Standard PoE
Power Adapter	Optional
Installation	Flush/surface mount
Certifications	CE; FCC; UL

Accessory	Flush/surface mount
Product Dimensions	130 mm × 96 mm × 28.5 mm (5.12" × 3.78" × 1.12")
Protection	IK07; IP65
Operating Temperature	-30°C to +60°C (-22°F to 140°F)
Operating Humidity	10%–90% (RH, non-condensing)
Operating Altitude	0 m–3000 m
Power Consumption	≤ 12W
Net Weight	0.35 kg (0.77 lb)
Gross Weight	0.4 kg (0.88 lb)

## DHI-VTH5422HW

## System

Main Processor	Embedded processor
Operating System	Embedded Linux Operation System
Button Type	Touch keypad
Interoperability	ONVIF
Network Protocol	RTSP; RTP; SIP; DNS; SSH

## Basic

Screen Type	Capacitive
Display Screen	7-inch TFT
Resolution	1024 × 600
Audio Compression	G.711a; G.711u; PCM
Audio Input	1
Audio Output	Built-in speaker
Audio Mode	2-way voice communication
Audio Enhancement	Echo suppression
Audio Bit Rate	16 KHz, 16 Bit
Communication Mode	2-wire
Information Release	Supports viewing text announcement from the center (insert an SD card to receive and view pictures)
Leave Videos	Yes (SD card inserted in VTH is needed)
Storage	Extensible 64 GB Micro SD card

## Port

RS-485	1
Alarm Input	6
Alarm Output	1
Power Output	1, 12V/100mA
Door Bell	Yes, reusing any alarm input port

Network Port	One 2-wire port; One 10 Mbps/100 Mbps Ethernet port; Use one or the other
--------------	---

## General

Casing	PC + ABS
Appearance color	White
Power Supply	Dahua 2-wire switch (max. power supply distance 50 m) Standard PoE
Power Adapter	Optional
Installation	Surface mount
Certifications	CE; FCC; UL
Accessory	Bracket (standard) Alarm ribbon cable (standard)
Product Dimensions	189.0 mm × 130.0 mm × 26.9 mm (7.44" × 5.12" × 1.06")
Operating Temperature	-10°C to +55°C (14°F to 131°F)
Operating Humidity	10%–95% (RH, non-condensing)
Operating Altitude	0 m–3000 m
Power Consumption	Standby ≤ 2W, working ≤ 6W
Net Weight	0.388 kg (0.86 lb)
Gross Weight	0.74 kg (1.63 lb)

## DHI-VTNS1001B-2

## Basic

Status Indicator Light	2
Communication Mode	2-wire
Cascade Ability	NA

## Port

2-wire port	1
RJ45	1

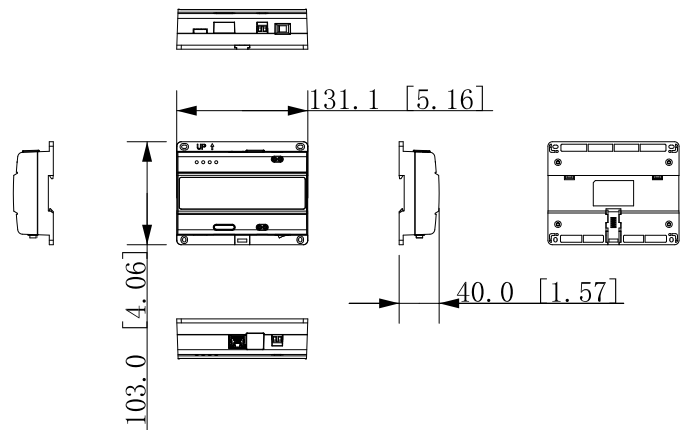
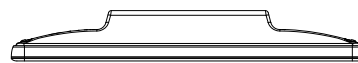
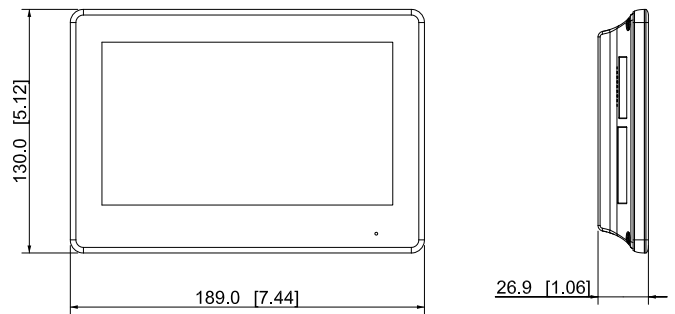
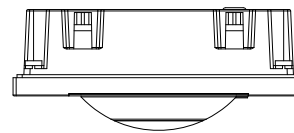
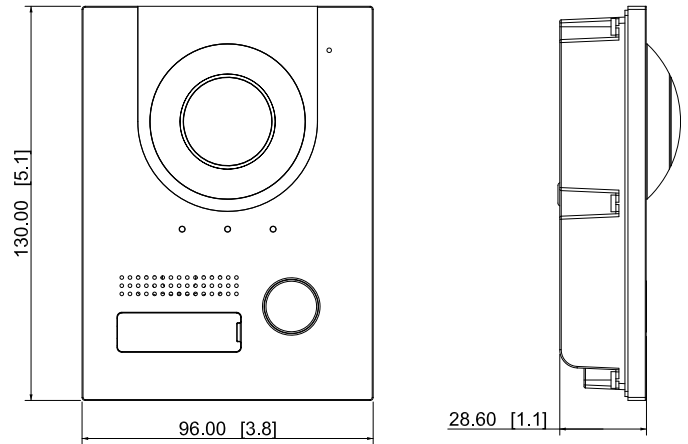
## General

Casing	PC + ABS
Appearance color	White
Power Supply	DC 48V 1A–3A
Power Adapter	Optional
Installation	Guide rail mount
Certifications	CE; FCC; UL
Accessory	Power converter cable
Product Dimensions	131 mm × 103 mm × 40 mm (5.16" × 4.06" × 1.57")
Operating Temperature	-10°C to +55°C (14°F to 131°F)
Operating Humidity	10%–95% (RH, non-condensing)
Operating Altitude	0–3000 m (0–9842.52 ft)

# DHI-KTD01L

Power Consumption	≤ 15W (KIT)
Net Weight	0.24 kg (0.53 lb)
Gross Weight	0.39 kg (0.86 lb)

## Dimensions (mm[inch])



## Relevant Products

DHI-KTD01L (S)



DHI-VTH5422HW



DHI-VTNS1001B-2



DHI-VTO2202F-P-S2



VTM115 (Surface mounted)

DHI-KTD01L (F)



DHI-VTH5422HW



DHI-VTNS1001B-2



DHI-VTO2202F-P-S2



VTM114  
(Flush mounted, Front)



VTM114  
(Flush mounted, Back)

Application

