

DH-IPC-K6-I

1/4" CMOS VGA Network Camera



DH-IPC-K6-I: 1/4" CMOS, 25/30fps at VGA, ICR D&N, IR LED

Features

- > 1/4" CMOS image sensor
- > High-performance TI DaVinci series DSP
- > H.264 video compression and JPEG image capture
- > 25/30fps at VGA/CIF/QVGA/QCIF/QQVGA resolution
- > Dual encoding streams supported
- > Support ICR true Day/Night
- > 1 channel analogue video BNC output(I/O Port cable Extension)
- > Built-in high performance IR LEDs(7~10 meters)
- > Max 32GB Hot-swappable MicroSD card for local storage
- > Built-in Web server, NVR, CMS(PSS/DSS) & DMSS

DH-IPC-K6-I

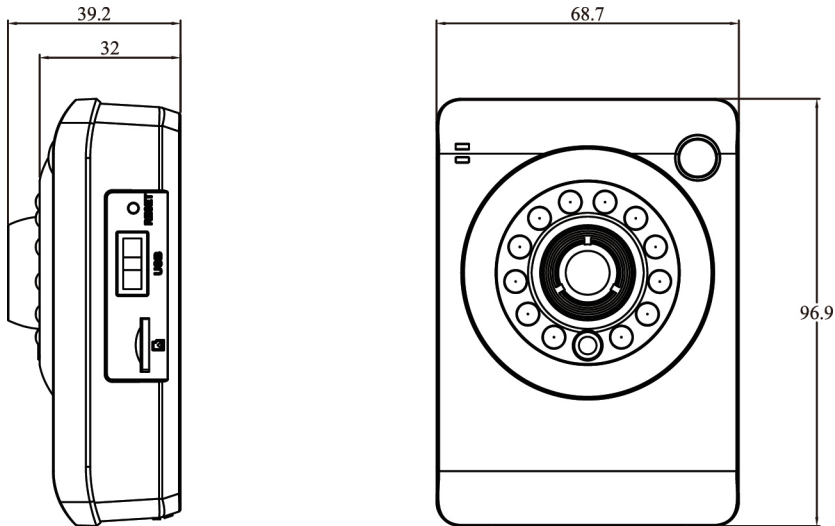
Specifications

Model	DH-IPC-K6-I
General	
Processor	TI DaVinci Series DSP
Operating System	Embedded LINUX
Resource	Simultaneous remote monitoring, local recording and remote control
User Interface	WEB, CMS(DSS/ PSS), DMSS, NVR
Camera	
Image Sensor	1/4" CMOS
Effective Pixels	640(H)×480(V)
Electronic Shutter	Auto/Manual, 1/50~1/10000s
Mini. Illumination	0.5LUX/F1.8, 0LUX/F1.8(IR ON)
Signal Noise Ratio	>50dB
Gain Control	Auto
White Balance	Auto
Day/Night	ICR
Video Format	PAL/NTSC
Lens	M12-mount , Fixed focal lens, 4.3mm, F1.8
Video	
Video Compression	H.264
Resolution	VGA(640×480) / CIF(352×288/352×240) / QVGA(320×240) / QCIF(176×144/176×128) / QQVGA(160×120)
Encoding Speed	Main Stream: VGA/CIF/QVGA/QCIF/QQVGA (1~25/30fps) Extra Stream: VGA/CIF/QVGA/ QCIF/QQVGA(1~25/30fps)
Bit Rate	32K~3Mbps
Snapshot	Fastest 1fps JPEG capture
Analogue Video Output	1 channel BNC(1.0Vp-p, 75Ω), I/O Port cable Extension
Audio	
Audio Compression	PCM(64Kbps) / G.711a(32Kbps)
Input	1 channel RCA, I/O Port cable Extension
Output	1 channel RCA, I/O Port cable Extension
Network	
Ethernet	RJ-45 (10/100Base-T)
Network Functions	HTTP, TCP/IP, ICMP, RTSP, RTP, UDP, SMTP, NTP, DHCP, DNS, IP Filter, PPPOE, DDNS, FTP, , Alarm Server
Remote Operation	Monitor, PTZ control, Playback, System setting, File download, Log information, Maintenance & Upgrade
Auxiliary Interface	
MicroSD Card	Max 32GB, local storage
Alarm I/O	Wireless Extension
Environmental	
Power Supply	DC 5V

DH-IPC-K6-I

Power Consumption	<3W
IR LED	7~10 meters
Operating Environment	-10°C~+55°C, 10%~90%
Dimension	68.7mm×97mm×39mm
Weight	120g(with bracket: 200g)
Mount	Desktop or Wall

Dimensions (mm)



Dahua Technology Co., Ltd.

1187 BinAn Road, Binjiang District, Hangzhou, China

Tel: +86-571-87688883

Fax: +86-571-87688815

Email: overseas@dahuatech.com

www.dahuatech.com

*Design and specifications are subject to change without notice.

© 2011 Dahua Technology Co., Ltd.

<https://boutique.idms.fr>