

DH-IPC-HDBW8331E-Z

3MP HD Ultra WDR Network Vandal-proof IR Dome Camera



Features

- 1/2.8" 3 Megapixel progressive scan CMOS
- Support H.265/H.264/MJPEG dual codec
- Smart triple streams supported
- Max 25/30fps@3MP(2048x1536)
- Ultra WDR up to 140dB
- Ultra 3D DNR
- Ultra Defog, ROI, EIS
- Smart detection
- Intelligent Function
- 2.8 ~12mm varifocal motorized lens
- Max. IR LEDs length 50m
- Micro SD memory, IP66, IK10, PoE,

DH-IPC-HDBW8331E-Z

Technical Specifications

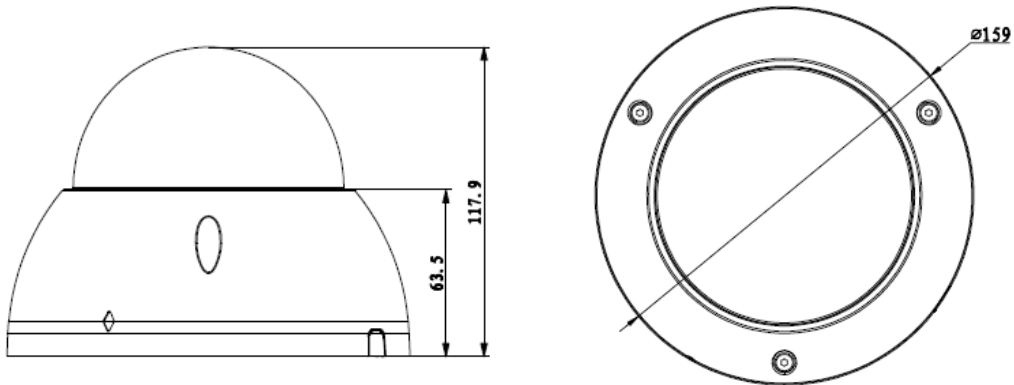
Model		IPC-HDBW8331E-Z
Camera		
Image Sensor	1/2.8" 3Megapixel CMOS	
Effective Pixels	2048(H)x1536(V)	
Scanning System	Progressive	
Electronic Shutter Speed	Auto/Manual 1/3(4)~1/100000s	
Min. Illumination	0.005Lux/F1.4(Color), 0Lux/F1.4(IR on)	
S/N Ratio	More than 50dB	
Video Output	1 port	
Camera Features		
Max. IR LEDs Length	50m	
Day/Night	Auto(ICR)/Color/B/W	
Backlight Compensation	BLC / HLC / WDR (140dB)	
White Balance	Auto/Sunny/Night/Outdoor/Customized	
Gain Control	Auto/Manual	
Noise Reduction	3D	
Privacy Masking	Up to 4 areas	
EIS	Support	
Ultra Defog	Support	
Lens		
Focal Length	2.7 -12mm motorized	
Max Aperture	F1.4	
Focus Control	Auto	
Angle of View	H: 87°~31°	
Lens Type	Motorized/Auto Iris(DC)	
Mount Type	Board-in Type	
Video		
Compression	H.265/H.264 / MJPEG	
Resolution	3M(2048×1536)/1080P(1920×1080)/720P(1280×720)/D1(704×576)/CIF(352×288)	
Frame Rate	Main Stream	3M/1080P/720P(1~25/30fps)
	Sub Stream	D1/CIF(1 ~ 25/30fps)
	Third Stream	1080P/720P/D1(1 ~ 25/30fps)
Bit Rate	H.264: 40K ~ 10Mbps	
ROI	Up to 4 areas	
Audio		
Compression	G.711a / G.711u/AAC	
Interface	1/1 channel In/Out	
Smart Function		
Smart detection	Tripwire	
	Intrusion	
	Scene change	

DH-IPC-HDBW8331E-Z

	Missing/Abandoned
	Audio detect
	Face detect
Intelligent function	People counting
	Heat map
Network	
Ethernet	RJ-45 (10/100Base-T)
Wi-Fi	N/A
Protocol	IPv4/IPv6, HTTP, HTTPS, SSL, TCP/IP, UDP, UPnP, ICMP, IGMP, SNMP, RTSP, RTP, SMTP, NTP, DHCP, DNS, PPPOE, DDNS, FTP, IP Filter, QoS, Bonjour
Compatibility	ONVIF, PSIA, CGI
Max. User Access	20 users
Smart Phone	iPhone, iPad, Android, Windows Phone
Auxiliary Interface	
Memory Slot	Micro SD, Max 128GB
RS485	N/A
Alarm	2/1 channel In/Out
PIR Sensor Range	N/A
General	
Power Supply	DC12V/AC24V, PoE(802.3af)
Power Consumption	Max 12W
Working Environment	-30°C~+60°C , Less than 90%RH
Ingress Protection	IP67
Vandal Resistance	IK10
Dimensions	Φ 159mm×117.9mm
Weight	0.8kg

DH-IPC-HDBW8331E-Z

Dimensions (mm)



Accessory (optional)

PFA101	PFB302S	PFA152
		
PFA138	PFB201C	PFB300C
		

Dahua Technology Co., Ltd.

1199 BinAn Road, Binjiang District, Hangzhou, China

Tel: +86-571-87688883

Fax: +86-571-87688815

Email: overseas@dahuatech.com

www.dahuatech.com

*Design and specifications are subject to change without notice.

© 2014 Dahua Technology Co., Ltd.