

DH-IPC-HDBW3200/3202

2Megapixel Full HD Vandal-proof IR Network Dome Camera



IPC-HDBW3200



IPC-HDBW3202

Features

- 1/2.8" 2Megapixel progressive scan Exmor CMOS
- H.264 & MJPEG dual-stream encoding
- 25/30fps@1080P(1920×1080)
- DWDR, Day/Night(ICR), 2DNR, Auto iris, AWB, AGC, BLC
- Multiple network monitoring: Web viewer, CMS(DSS/PSS) & DMSS
- 3.3~12mm varifocal lens (3200)
- 3~9mm varifocal motorized lens (3202)
- Built-in 1/1 alarm in/out
- Max. IR LEDs length 20m
- Micro SD memory, IP66, IK10, PoE,

DH-IPC-HDBW3200/3202

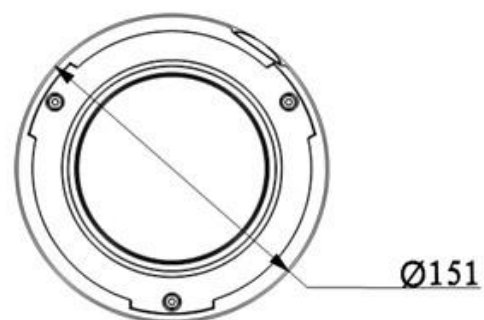
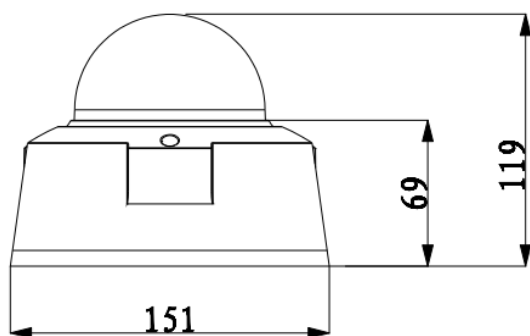
Technical Specifications

Model	IPC-HDBW3200P	IPC-HDBW3202P	IPC-HDBW3200N	IPC-HDBW3202N
Camera				
Image Sensor	1/2.8" 2Megapixel progressive scan Exmor CMOS			
Effective Pixels	1920(H)x1080(V)			
Scanning System	Progressive			
Electronic Shutter Speed	Auto/Manual 1/3~1/10000		Auto/Manual 1/4~1/10000	
Min. Illumination	Color: 0. 1Lux/F1.2, B/W: 0.01Lux/F1.2; 0Lux/F1.2(IR on)			
S/N Ratio	More than 50dB			
Video Output	1 Port			
Camera Features				
Max. IR LEDs Length	20m			
Day/Night	Auto(ICR)/Color/B/W			
Backlight Compensation	BLC / HLC / DWDR			
White Balance	Auto			
Gain Control	Auto/Manual			
Noise Reduction	2D			
Privacy Masking	Up to 4 areas			
Lens				
Focal Length	3.3-12mm	3-9mm motorized	3.3-12mm	3-9mm motorized
Max Aperture	F1.4	F1.2	F1.4	F1.2
Focus Control	Manual	Auto	Manual	Auto
Angle of View	H: 79.3°(Wide)~ 29.8°(Tele)	H: 105°(Wide)~ 36°(Tele)	H:79.3°(Wide)~ 29.8°(Tele)	H:105°(Wide)~ 36°(Tele)
Lens Type	Manual / Auto Iris (DC)	Motorized / Auto Iris(DC)	Manual / Auto Iris (DC)	Motorized / Auto Iris(DC)
Mount Type	Board-in Type			
Video				
Compression	H.264 / MJPEG			
Resolution	1080P(1920×1080) / 720P(1280×720) / D1(704×576) / CIF(352×288)		1080P(1920×1080) / 720P(1280×720) / D1(704×480) / CIF(352×240)	
Frame Rate	Main Stream	1080P/720P(1 ~ 25/30fps)		
	Sub Stream	D1/CIF(1 ~ 25/30fps)		
Bit Rate	H.264: 32K ~ 8192Kbps			
Audio				
Compression	G.711a / G.711u/ PCM			
Interface	1/1 channel In/Out			
Network				
Ethernet	RJ-45 (10/100Base-T)			
Wi-Fi	N/A			

DH-IPC-HDBW3200/3202






Protocol	IPv4/IPv6, HTTP, HTTPS, SSL, TCP/IP, UDP, UPnP, ICMP, IGMP, SNMP, RTSP, RTP, SMTP, NTP, DHCP, DNS, PPPOE, DDNS, FTP, IP Filter, QoS, Bonjour			
ONVIF	ONVIF Profile S			
Max. User Access	10 users			
Smart Phone	iPhone, iPad, Android, Windows Phone			
Auxiliary Interface				
Memory Slot	Micro SD, Max 64GB			
RS485	N/A			
Alarm	1/1 channel In/Out			
PIR Sensor Range	N/A			
General				
Power Supply	DC12V/AC24V, PoE(802.3af)			
Power Consumption	<5W	<7W	<5W	<7W
Working Environment	-10°C~ +60°C, 10%~90%			
Ingress Protection	IP66			
Vandal Resistance	IK10			
Dimensions	Φ151mm×119mm			
Weight	1.25kg			

Dimensions (mm)



DH-IPC-HDBW3200/3202

Accessories (optional)

				
PFA100	PFB300S	PFA120	PFB150	PFB151

Dahua Technology Co., Ltd.

1187 BinAn Road, Binjiang District, Hangzhou, China

Tel: +86-571-87688883

Fax: +86-571-87688815

Email: overseas@dahuatech.com

www.dahuatech.com

*Design and specifications are subject to change without notice.

© 2013 Dahua Technology Co., Ltd.