

DH-IPC-HDB3200C

2Megapixel Full HD Vandal-proof Network Mini Dome Camera



Features

- 1/2.8" 2Megapixel progressive scan Exmor CMOS
- H.264 & MJPEG dual-stream encoding
- 25/30fps@1080P(1920×1080)
- DWDR, Day/Night, 2DNR, AWB, AGC, BLC
- Multiple network monitoring: Web viewer, CMS(DSS/PSS) & DMSS
- 3.6mm fixed lens (2.8mm, 6mm, 8mm optional)
- Micro SD memory, IP66, IK10, PoE

DH-IPC-HDB3200C

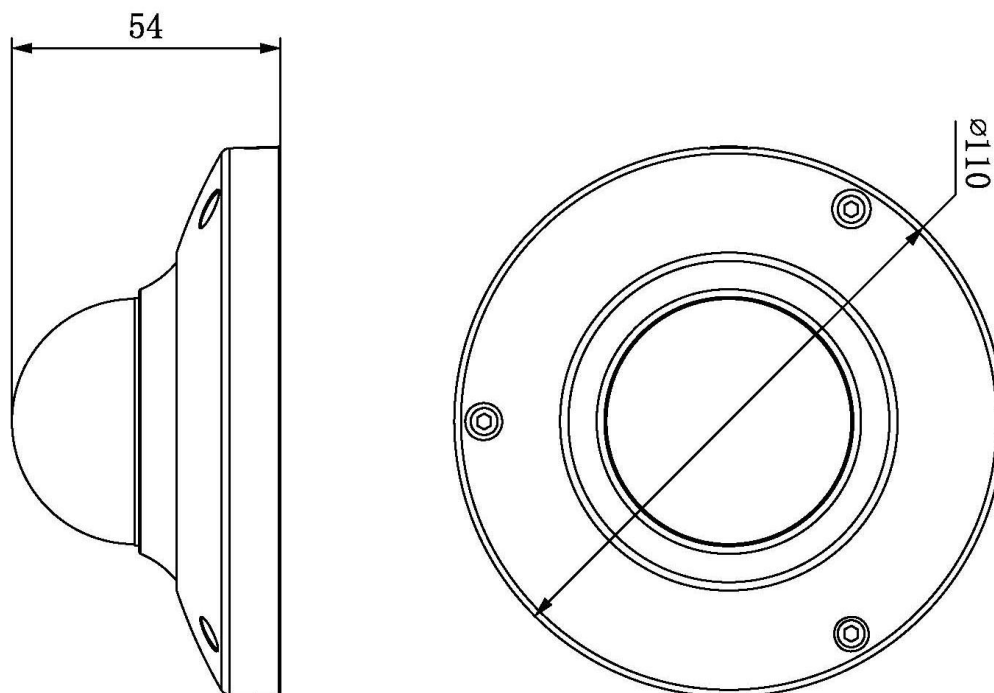
Technical Specifications

Model	DH-IPC-HDB3200CP	DH-IPC-HDB3200CN
Camera		
Image Sensor	1/2.8" 2Megapixel progressive scan Exmor CMOS	
Effective Pixels	1920(H)x1080(V)	
Scanning System	Progressive	
Electronic Shutter Speed	Auto/Manual 1/3~1/10000	Auto/Manual 1/4~1/10000
Min. Illumination	Color: 0.1Lux/F1.6, B/W: 0.01Lux/F1.6	
S/N Ratio	More than 50dB	
Video Output	N/A	
Camera Features		
Max. IR LEDs Length	N/A	
Day/Night	Auto(Electronic)/Color/B/W	
Backlight Compensation	BLC / HLC / DWDR	
White Balance	Auto	
Gain Control	Auto/Manual	
Noise Reduction	2D	
Privacy Masking	Up to 4 areas	
Lens		
Focal Length	3.6mm fixed lens (2.8mm,6mm,8mm optional)	
Max Aperture	F1.6 (F2.0,F1.6,F1.6)	
Focus Control	Manual	
Angle of View	H: 70° (97.24°/46°/35°)	
Lens Type	Fixed	
Mount Type	Board-in Type	
Video		
Compression	H.264 / MJPEG	
Resolution	1080P(1920×1080) / 720P(1280×720)/ D1(704×576) / CIF(352×288)/	1080P(1920×1080) / 720P(1280×720) / D1(704×480) / CIF(352×240) /
Frame Rate	Main Stream	1080P/720P(1 ~ 25/30fps)
	Sub Stream	D1/CIF(1 ~ 25/30fps)
Bit Rate	H.264: 32K ~ 8192Kbps	
Audio		
Compression	N/A	
Interface	N/A	
Network		
Ethernet	RJ-45 (10/100Base-T)	
Wi-Fi	N/A	
Protocol	IPv4/IPv6, HTTP, HTTPS, SSL, TCP/IP, UDP, UPnP, ICMP, IGMP, SNMP, RTSP, RTP, SMTP, NTP, DHCP, DNS, PPPOE, DDNS, FTP, IP Filter,	

DH-IPC-HDB3200C



	QoS, Bonjour
ONVIF	ONVIF Profile S
Max. User Access	10 users
Smart Phone	iPhone, iPad, Android, Windows Phone
Auxiliary Interface	
Memory Slot	Micro SD, Max 64GB
RS485	N/A
Alarm	N/A
PIR Sensor Range	N/A
General	
Power Supply	DC12V, PoE(802.3af)
Power Consumption	<3W
Working Environment	-10°C~+60°C, 10%~90%
Ingress Protection	IP66
Vandal Resistance	IK10
Dimensions	φ110×54mm
Weight	0.25kg

Dimensions (mm)



DH-IPC-HDB3200C

Accessories (optional)

	
PFA131	PFB200W

Dahua Technology Co., Ltd.

1187 BinAn Road, Binjiang District, Hangzhou, China

Tel: +86-571-87688883

Fax: +86-571-87688815

Email: overseas@dahuatech.com

www.dahuatech.com

*Design and specifications are subject to change without notice.

© 2013 Dahua Technology Co., Ltd.