

DH-IPC-A7-I/A7W-I

VGA Network P/T Camera



Features

- 1/4" VGA CMOS
- H.264 dual-stream encoding
- Max 30fps@VGA (640×480)
- Day/Night(ICR), 2DNR, AWB, AGC, BLC
- Multiple network monitoring: Web viewer, CMS(DSS/PSS) & DMSS
- 4.3mm fixed lens
- Max. IR LEDs length 10m
- PIR Sensor Range 5m
- SD memory

DH-IPC-A7-I/A7W-I

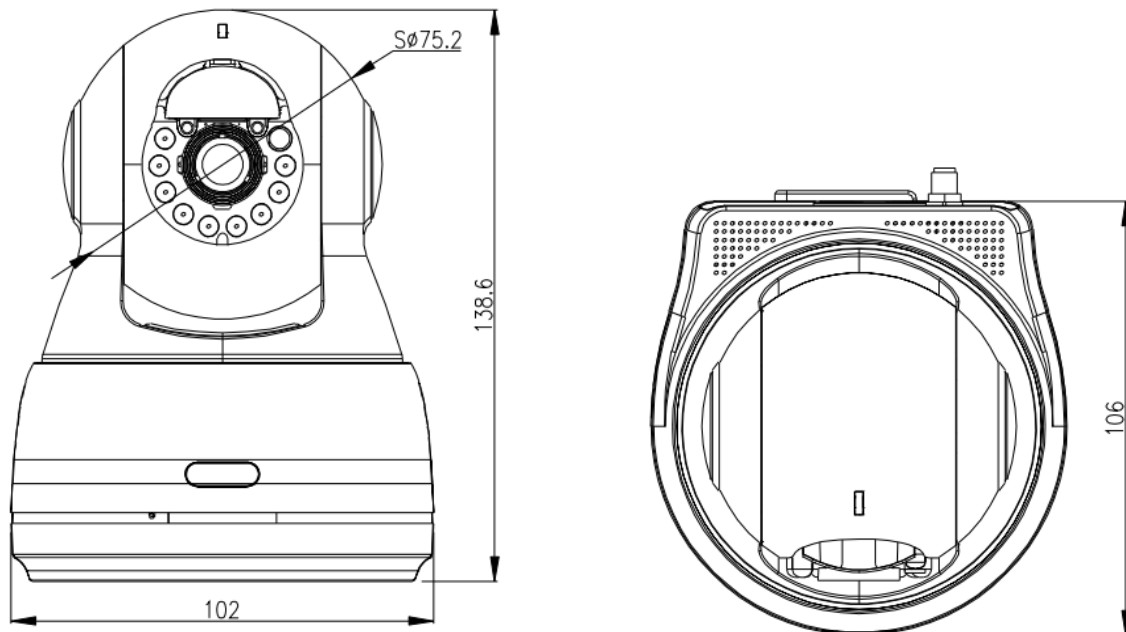
Technical Specifications

| Model | DH-IPC-A7-I | | DH-IPC-A7W-I | |
|----------------------------|---|-----------------------------------|--|--|
| Camera | | | | |
| Image Sensor | 1/4" VGA CMOS | | | |
| Effective Pixels | 640(H)x480(V) | | | |
| Scanning System | Progressive | | | |
| Electronic Shutter Speed | Auto/Manual 1/25~1/10000 (PAL) Auto/Manual 1/30~1/10000 (NTSC) | | | |
| Min. Illumination | 0.2lux/F1.4(color),0.1Lux/F1.4(B/W),0Lux(IR on) | | | |
| S/N Ratio | 50dB | | | |
| Video Output | External | | | |
| Camera Features | | | | |
| Max. IR Length | 10m | | | |
| Day/Night | Auto(ICR)/Color/B/W | | | |
| White Balance | Auto | | | |
| Gain Control | Auto | | | |
| Noise Reduction | 2D | | | |
| Privacy Masking | Four privacy zone | | | |
| Lens | | | | |
| Focal Length | 4.3mm | | | |
| Max Aperture | F1.8 | | | |
| Angle of View | H:52° | | | |
| Mount Type | Board-in Type | | | |
| Video | | | | |
| Compression | H.264 | | | |
| Resolution | VGA(640×480) / CIF(352×288 / 352×240) / QVGA(320×240) / QCIF(176×144 /176×128) / QQVGA(160×120) | | | |
| Frame Rate | Main Stream | VGA/CIF/QCIF/QVGA/ (1 ~ 25/30fps) | | |
| | Sub Stream | QCIF/QVGA/QQVGA(1 ~ 25/30fps) | | |
| Bit Rate | H.264: 32K ~ 3072Kbps | | | |
| Audio | | | | |
| Compression | G.711a / G.711u (64kbps)/ PCM(128kbps) | | | |
| Interface | 1/1 channel In/Out/ Build-in Mic | | | |
| Network | | | | |
| Ethernet | RJ-45 (10/100Base-T) | | RJ-45 (10/100Base-T), Wi-Fi 802.11b/g | |
| Protocol | IPv4, HTTP, SSL, TCP/IP, UDP, ICMP, IGMP, RTSP, RTP, SMTP, NTP, DHCP, DNS, PPPOE, DDNS, FTP, IP Filter, | | | |
| ONVIF | ONVIF Ver. 2.0 | | | |
| Max. User Access | 10 users | | | |
| Smart Phone | iPhone, iPad, Android, Windows Phone | | | |
| Auxiliary Interface | | | | |

DH-IPC-A7-I/A7W-I

| | |
|---------------------|-----------------------------|
| Memory Slot | SD, Max 32GB |
| PIR Sensor Range | Up to 5meters |
| Alarm | External wireless alarm box |
| General | |
| Power Supply | DC5V |
| Power Consumption | <4W |
| Working Environment | -10°C~+50°C, 10%~90% |
| Dimensions (W×D×H) | 102mm×106mm×138mm |
| Weight | 0.34Kg |

Dimensions (mm)



Dahua Technology Co., Ltd.

1187 BinAn Road, Binjiang District, Hangzhou, China

Tel: +86-571-87688883

Fax: +86-571-87688815

Email:overseas@dahuatech.com

www.dahuatech.com

*Design and specifications are subject to change without notice.

© 2012 Dahua Technology Co., Ltd.