

# DH-HAP300

## Hi-fidelity Pickup



### Features

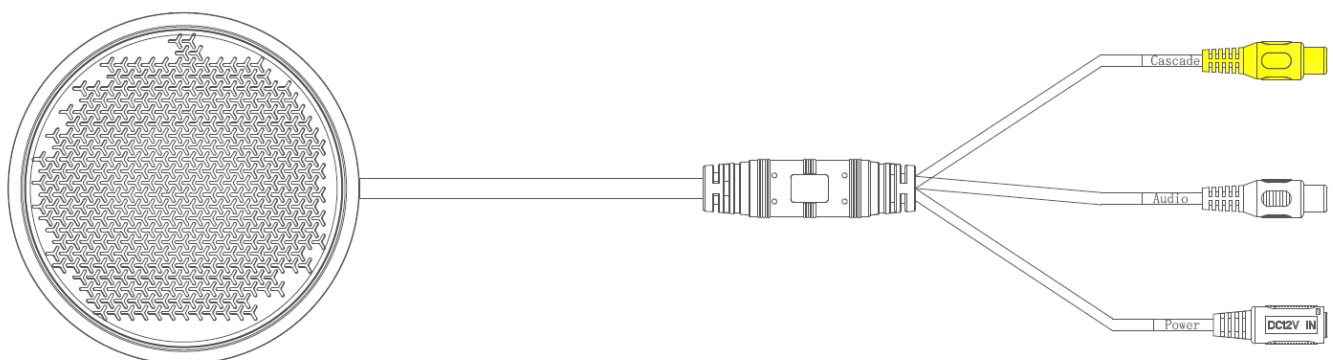
- Aluminum material
- Easy to install
- ALC processing circuit
- DSP noise reduction
- Support cascading

## Technical Specifications

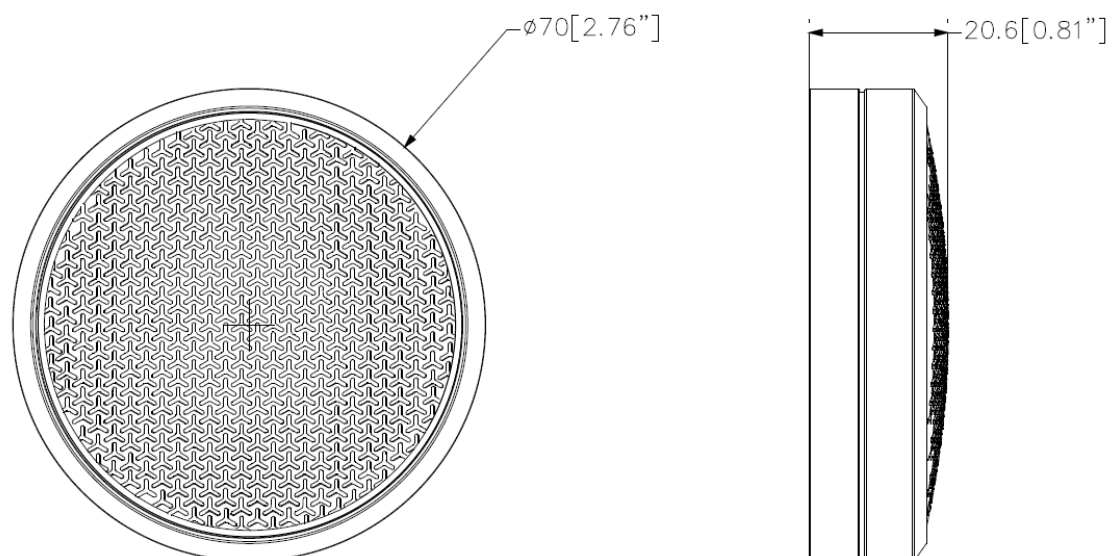
Model	DH-HAP300
<b>General</b>	
Scope	5~150 m <sup>2</sup>
Sensitivity	-30dB
Frequency response	20Hz~20kHz
Directional characteristic	Omni-directional
SNR	82dB(1m 40dB sound source SPL) 52dB(10m 45dB sound source SPL) 1kHz at 1Pa
Dynamic range	106dB(1KHz at Max dB SPL)
Max. sustainable sound pressure	120dB SPL(1KHz, THD 1%)
Output impedance	600Ω(non-equilibrium)
Output signal amplitude	2.5Vpp/-25dB
Microphone	Electret condenser microphone
Working voltage	DC 12V(9~18V)
Working current	50mA
Working temperature	-25°C~+70°C(-13°F ~ +158°F)
Material	Aluminum
Color	silver
Dimension	φ70mmx20.6mm (2.76"x3.13" x0.81")
Weight	0.11kg(0.24lb)
Certification	CE/FCC

## Interface information

- RCA female connector \*2
- DC power connector



## Dimensions (mm/inch)



## Package Information

- Hi-fidelity pickup \*1
- ST4x25 screw \*3
- Plastic anchor \*3
- Mounting sticker\*1