

# DH-HAC-HFW2501T-Z-A

## 5MP Starlight HDCVI IR Bullet Camera

### HDCVI



- Starlight, 120dB true WDR, 3DNR
- Max. 20fps@5MP
- HD/SD output switchable
- Audio in interface, built-in mic
- 2.7-13.5mm motorized lens
- Max. IR length 80m, Smart IR
- IP67, DC12V±30%



### System Overview

Experience 5 megapixel video with the simplicity of reusing existing coaxial infrastructure. The 5MP starlight HDCVI camera presents a high quality image with rich details even under extreme low-light conditions. The camera also features broadcast-quality audio to provide enhanced supplementary evidence collection. It offers various motorized/fixed lens models with 120dB true WDR and HD/SD switchable output. The higher resolution and starlight feature makes the 5MP HDCVI camera an ideal choice for mid to large-size businesses and projects where both highly reliable surveillance and construction flexibility are needed.

### Functions

#### 4 Signals over 1 Coaxial Cable

HDCVI technology supports 4 signals to be transmitted over 1 coaxial cable simultaneously, i.e. video, audio\*, data and power. Dual-way data transmission allows the HDCVI camera to interact with the HCVR, such as sending control signal or triggering alarm. Moreover, HDCVI technology supports PoC for construction flexibility.

\* Audio input is available for some models of HDCVI cameras.

#### Long Distance Transmission

HDCVI technology guarantees real-time transmission at long distance without any loss. It supports up to 700m transmission for 5MP HD video via coaxial cable, and up to 300m via UTP cable.\*

\*Actual results verified by real-scene testing in Dahua's test laboratory.

#### Simplicity

HDCVI technology inherits the born feature of simplicity from traditional analog surveillance system, making itself a best choice for investment protection. HDCVI system can seamlessly upgrade the traditional analog system without replacing existing coaxial cabling. The plug and play approach enables full HD video surveillance without the hassle of configuring a network.

#### Starlight

With the adoption of large sized high performance sensor, the camera is able to provide incomparable performance even under extreme lowlight environment. The starlight feature allows more details to be captured and accurate color to be recognized at night or in scenes with limited illumination.

### Broadcast-quality Audio

Audio information is used as supplementary evidence in video surveillance applications. The HDCVI camera supports audio signal transmission over coaxial cable. In addition, it adopts unique audio processing and transmission technology that best restores source audio and eliminates noise, guaranteeing the quality and effectiveness of collected audio information.

### Multiple-formats

The camera supports multiple video formats including HDCVI, CVBS, and other two common HD analog formats in the market. A DIP switch located on the cable allows you to quickly toggle formats, further simplifying installation and debugging. This feature makes the camera compatible with not only XVRs, but also most existing HD/SD DVRs.

### Wide Dynamic Range

Embedded with industry leading wide dynamic range (WDR) technology, vivid pictures are achieved even in the most intense contrast lighting conditions. True WDR (120dB) optimizes both the bright and dark areas of a scene at the same time to provide usable video.

### Advanced 3DNR

3DNR is noise reduction technology that detects and eliminates random noises by comparing two sequential frames. Dahua's advanced 3DNR technology allows remarkable noise reduction with little impact to sharpness, especially under limited lighting condition. Besides, the advanced 3DNR effectively decreases the band width and saves the storage space.

### Protection

The camera's outstanding reliability is unsurpassed due to its rugged design. The camera is protected against water and dust with IP67 ranking, making it suitable for indoor or outdoor environments. Supporting ±30% input voltage tolerance, this camera suits even the most unstable power supply conditions. Its 4KV lightning rating provides protection against the camera and its structure from the effects of lightning.

### Technical Specification

#### Camera

Image Sensor	1/2.8" CMOS
Effective Pixels	2592(H)×1944(V), 5MP
Scanning System	Progressive
Electronic Shutter Speed	PAL: 1/4s~1/100,000s NTSC: 1/3s~1/100,000s
Minimum Illumination	0.005Lux/F1.3, 30IRE, 0Lux IR on
S/N Ratio	More than 65dB
IR Distance	Up to 80m (262feet)
IR On/Off Control	Auto / Manual
IR LEDs	4

#### Lens

Lens Type	Motorized lens / Fixed iris
Mount Type	Board-in
Focal Length	2.7-13.5mm
Max Aperture	F1.3
Angle of View	H: 102°~29°
Focus Control	Auto / Manual
Close Focus Distance	200mm 7.87"

#### DORI Distance

Note: The DORI distance is a "general proximity" of distance which makes it easy to pinpoint the right camera for your needs. The DORI distance is calculated based on sensor specification and lab test result according to EN 62676-4 which defines the criteria for Detect, Observe, Recognize and Identify respectively.

	DORI Definition	Distance	
		Wide	Tele
Detect	25px/m (8px/ft)	64m(210ft)	222m(728ft)
Observe	63px/m (19px/ft)	26m(85ft)	89m(292ft)
Recognize	125px/m (38px/ft)	13m(43ft)	44m(144ft)
Identify	250px/m (76px/ft)	6m(20ft)	22m(72ft)

#### Pan / Tilt / Rotation

Pan/Tilt/Rotation	Pan: 0° ~ 360° Tilt: 0° ~ 90° Rotation: 0° ~ 360°
-------------------	---

#### Video

Resolution	5MP (2592×1944)
Frame Rate	20fps@5MP, 25/30fps@4MP, 25/30fps@1080P
Video Output	1-channel BNC high definition video output / CVBS video output (DIP switch)
Day/Night	Auto (ICR) / Manual

OSD Menu	Multi-language
BLC Mode	BLC / HLC / WDR
WDR	120dB
Gain Control	AGC
Noise Reduction	2D/3D
White Balance	Auto / Manual
Smart IR	Auto / Manual

#### Certifications

Certifications	CE (EN55032, EN55024, EN50130-4) FCC (CFR 47 FCC Part 15 subpartB, ANSI C63.4-2014) UL (UL60950-1+CAN/CSA C22.2 No.60950-1)
----------------	---

#### Interface

Audio Interface	1ch in & Built-in Mic
-----------------	-----------------------

#### Eelectrical

Power Supply	12V DC ±30%
Power Consumption	Max. 12.4W (12V DC, IR on)

#### Environmental

Operating Conditions	-30°C ~ +60°C (-22°F ~ +140°F) / Less than 90% RH * Start up should be done at above-30°C (-22°F)
Storage Conditions	-30°C ~ +60°C (-22°F ~ +140°F) / Less than 90% RH
Ingress Protection & Vandal Resistance	IP67

#### Construction

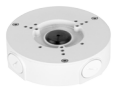
Casing	Aluminium
Dimensions	244.1mm×90.4mm×90.4mm (9.61"×3.56"×3.56")
Net Weight	0.77kg (1.70lb)
Gross Weight	1.03kg (2.27lb)

**Ordering Information**

Type	Part Number	Description
SMP Camera	DH-HAC-HFW2501TP-Z-A 2.7~13.5mm	5MP Starlight HDCVI IR Bullet Camera, PAL
	DH-HAC-HFW2501TN-Z-A 2.7~13.5mm	5MP Starlight HDCVI IR Bullet Camera, NTSC
Accessories	PFA130-E	Junction box (For use alone or with PFA152-E pole mount)
	PFA152-E	Pole mount (For use with PFA130-E junction box)
	PFA151	Corner mount bracket (For use with PFA130-E junction box)
	PFM800-E	Passive HDCVI Balun
	PFM320	12V 2A Power Adapter
	PFM300	12V 2A Power Adapter

**Accessories**

Optional:



PFA130-E  
Junction box



PFA152-E  
Pole mount



PFA151  
Corner mount bracket



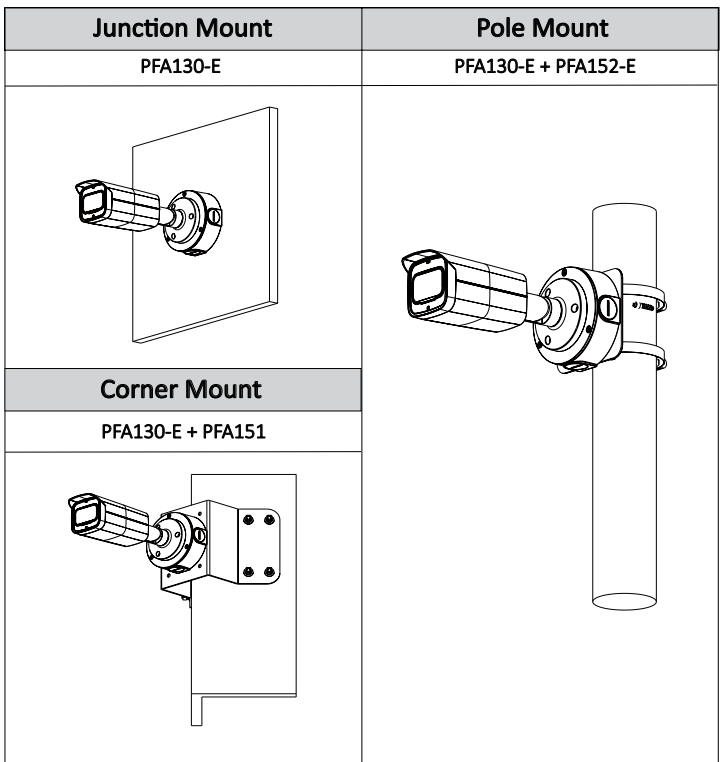
PFM800-E  
Passive HDCVI Balun



PFM320  
12V 2A Power Adapter



PFM300  
12V 2A Power Adapter



**Dimensions (mm/inch)**

