

DH-CA-UM480B/580B

700TVL (WDR) Pinhole Camera



B Series



P Series

Features

- > 1/3" SONY EXview HAD CCD II & Effio-E DSP (UM480B)
- > 1/3" SONY Super HAD CCD II & Effio-P DSP (UM580B)
- > High resolution of 700TVL(Color)
- > WDR(DWDR), Day/Night, 2DNR, AWB, AGC, BLC, MD, Privacy Masking, Picture Adjustment
- > 3.6mm fixed lens (2.8mm optional)
- > OSD, DC12V

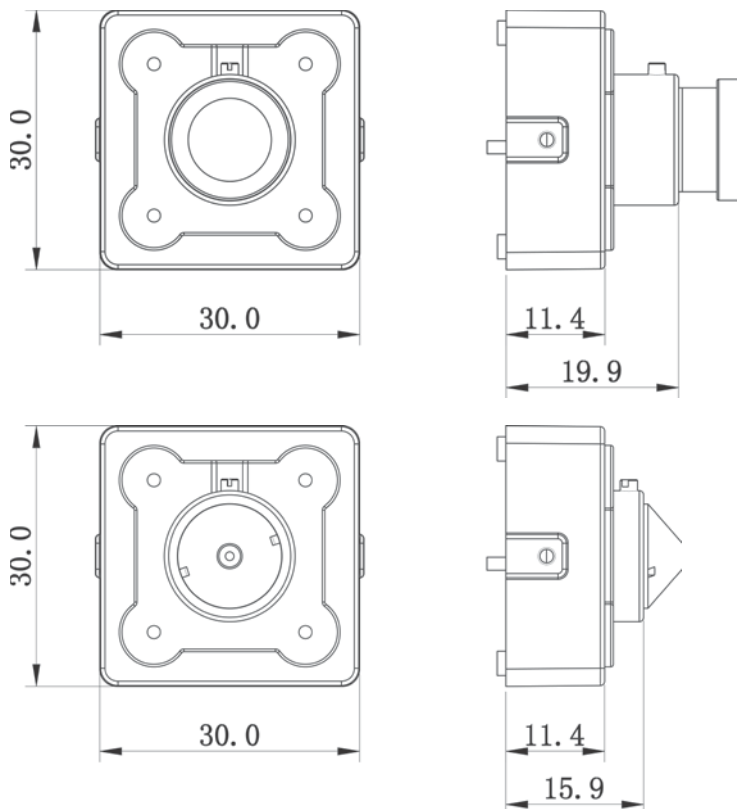
DH-CA-UM480B/580B

Technical Specifications

Model		CA-UM480BP	CA-UM580BP	CA-UM480BN	CA-UM580BN
Camera					
Image Sensor		CA-UM480B: 1/3" EXview HAD CCD II CA-UM580B: 1/3" SONY Super HAD CCD II			
Effective Pixels		976(H) x 582(V), 570K pixels		976(H) x 494(V), 480K pixels	
Horizontal Resolution		Color: 700TVL			
Electronic Shutter		1/50s~1/100,000s		1/60s~1/100,000s	
Synchronization		Internal			
Min. Illumination	CA-UM480B	0.02Lux@F1.2			
	CA-UM580B	Color: 0.001Lux@F1.2, 0.0001Lux@F1.2(Slow shutter, 512x) B/W: 0.0001Lux@F1.2, 0.00001Lux@F1.2(Slow shutter, 512x)			
S/N Ratio		>60dB(AGC Off)			
Video Output		1Vp-p Composite Output (75Ω/BNC)			
Camera Features					
OSD	UM480B	English, Chinese, French, German, Russian, Spanish, Portuguese, Japanese			
	UM580B	English, Chinese			
Day/Night		Auto(Electronic)/ Color / B/W			
Backlight Compensation		BLC / HLC / DWDR		BLC / HLC / WDR	
White Balance		Auto Trace WB1 / Auto Trace WB2 / Manual / Auto			
Gain Control		Auto / Manual			
Noise Reduction		2D			
Privacy Masking		Up to 4 areas			
Picture Adjustment		Mirror / Brightness / Contrast / Sharpness / Hue / Gain			
Lens					
Focal Length		3.6mm (2.8mm optional)			
General					
Power Supply		DC12V±10%			
Power Consumption		Max 2W			
Working Environment		-30°C~+60°C / 20%~80%RH			
Dimensions(W×D×H)		B series: 30mm × 19.9mm × 30mm P series: 30mm × 15.9mm × 30mm			
Weight		50g			

DH-CA-UM480B/580B

Dimensions (mm)



<http://www.asi.ind.in>

Dahua Technology Co., Ltd.

1187 BinAn Road, Binjiang District, Hangzhou, China

Tel: +86-571-87688883

Fax: +86-571-87688815

Email: overseas@dahuatech.com

www.dahuatech.com

*Design and specifications are subject to change without notice.

© 2012 Dahua Technology Co., Ltd.