

## DH-SD4150/4161-H

### 10x Mini PTZ Dome Camera



### Features

- > Powerful 10x optical zoom
- > High resolution of 540 TVL
- > Day/Night (ICR), Auto iris, Auto focus, AWB, AGC, BLC
- > Max 300°/s pan & tilt speed, 360° continuous pan rotation
- > Up to 200 Presets, 5 Auto Scan, 8 Tour, 5 Pattern
- > Support intelligent 3D positioning with DH-SD protocol

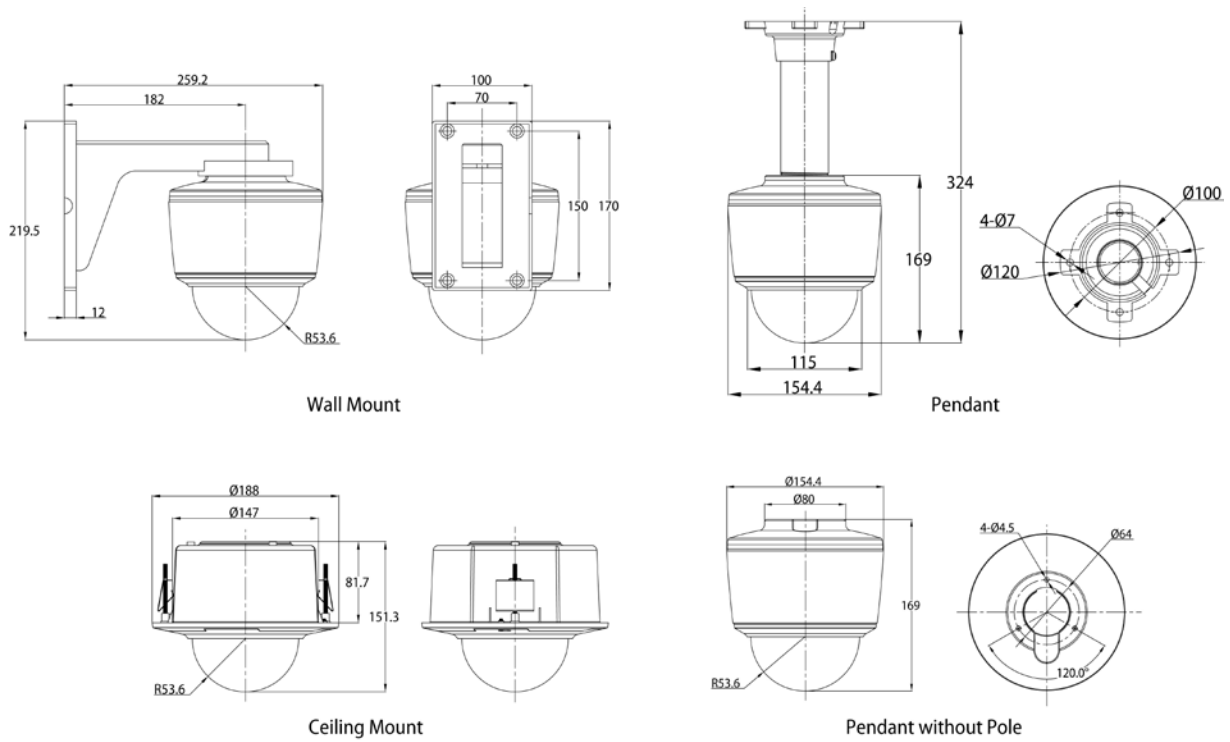
# DH-SD4150/4161-H

## Technical Specifications

Model	DH-SD4150-H	DH-SD4161-H
<b>Camera</b>		
Image Sensor	1/4" EXview HAD CCD	
Effective Pixels	752(H) x 582(V) / 768(H) x 494(V)	
Horizontal Resolution	540TVL	
Scanning System	Interlacing	
Electronic Shutter Speed	1/3(4) ~ 1/10000 sec (20 steps)	
Min. Illumination	0.7Lux/F1.8	1.0Lux/F1.8
S/N Ratio	> 50dB	
Video Output	BNC(1.0Vp-p/75Ω), PAL / NTSC	
<b>Camera Features</b>		
Day/Night	Auto(ICR) / Color / B/W	Color / B/W
Backlight Compensation	BLC	
White Balance	Auto, ATW, Indoor, Outdoor, Manual	
Gain Control	Auto / Manual	
Digital Zoom	12x	
<b>Lens</b>		
Focal Length	3.8mm~38.0mm (10x optical zoom)	4.2mm~42.0mm (10x optical zoom)
Max Aperture	F1.8~F2.9	F1.8~F2.9
Focus Control	Auto / Manual	
Angle of View	H: 51.2°~5.6°	H: 46° ~ 4.6°
Close Focus Distance	200mm~1000mm	
<b>PTZ</b>		
Pan/Tilt Range	Pan: 0° ~ 360° endless; Tilt: -0° ~ 90°, auto flip 180°	
Manual Control Speed	Pan: 0.1° ~ 200°/s; Tilt: 0.1° ~ 120°/s	
Preset Speed	Pan: 300; Tilt: 150°/s	
Preset	80(DH-SD) , 200(Pelco-P/D)	
PTZ Mode	5 Auto Scan, 8 Tour, 5 Pattern	
Protocol	DH-SD, Pelco-P/D	
<b>Auxiliary Interface</b>		
RS485	1 port	
<b>General</b>		
Power Supply	AC24V/1A (±10%), DC12V optional	
Power Consumption	12W	
Working Environment	-10~50°C / Less than 90% RH	
Dimensions	Φ154.4(mm) x 169(mm)	
Weight	1.5kg	

# DH-SD4150/4161-H

## Dimensions (mm)



### Dahua Technology Co., Ltd.

1187 BinAn Road, Binjiang District, Hangzhou, China

Tel: +86-571-87688883

Fax: +86-571-87688815

Email: overseas@dahuatech.com

www.dahuatech.com

\*Design and specifications are subject to change without notice.

© 2012 Dahua Technology Co., Ltd.