

## DH-CA-D480D

700TVL Mobile Dome Camera



### Features

- > 1/3" SONY Super HAD CCD II & Effio-E DSP
- > High resolution of 700TVL
- > DWDR, Day/Night, AWB, AGC, BLC
- > 3.6mm fixed lens (2.8mm optional)
- > Aviation connector, shock-proof
- > DC12V

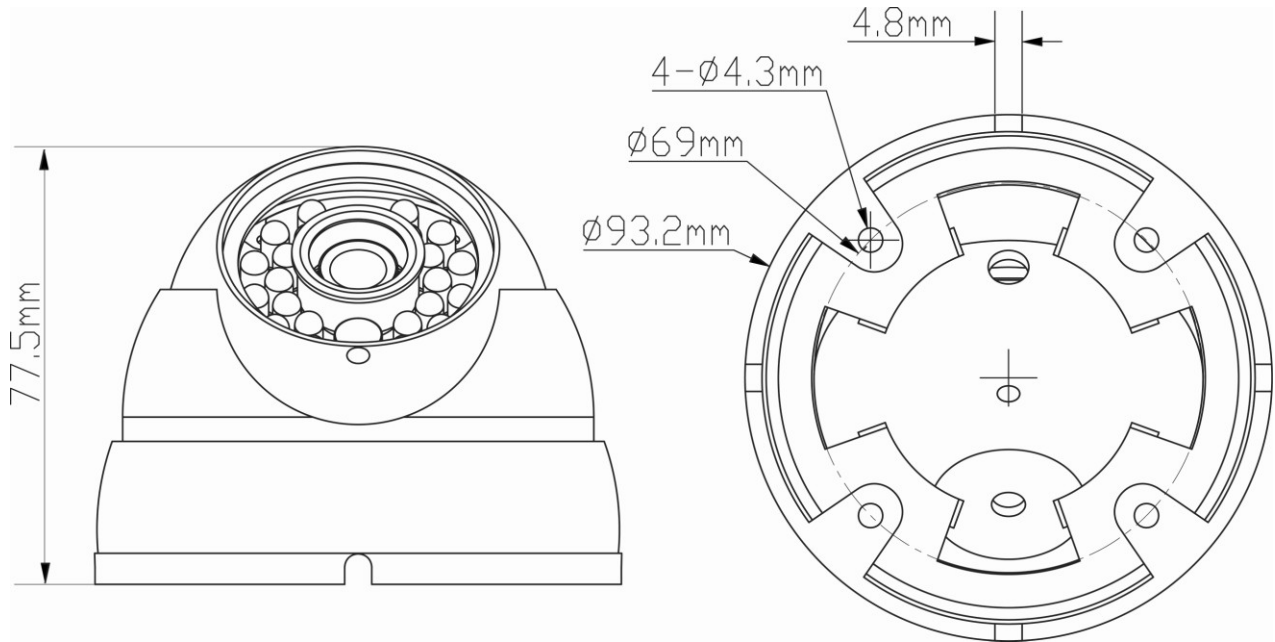
## DH-CA-D480D

### Technical Specifications

Model	DH-CA-D480DP	DH-CA-D480DN
<b>Camera</b>		
Image Sensor	1/3" super HAD CCD II	
Effective Pixels	976(H) x 582(V), 570K pixels	976(H) x 494(V), 480K pixels
Horizontal Resolution	Color: 700TVL	
Electronic Shutter	1/50s~1/100,000s	1/60s~1/100,000s
Synchronization	Internal	
Min. Illumination	0.05Lux@F1.2	
S/N Ratio	>60dB(AGC Off)	
Video Output	1Vp-p Composite Output (75Ω/Aviation connector)	
<b>Camera Features</b>		
Max. IR LEDs Length	N/A	
Day/Night	Auto(Electronic) / Color / B/W	
Backlight Compensation	BLC / DWDR	
White Balance	Auto	
Gain Control	Auto	
<b>Lens</b>		
Focal length	3.6mm (2.8mm optional)	
Mount Type	M12	
<b>General</b>		
Power Supply	DC12V±10%	
Power Consumption	Max 2W	
Working Environment	-30°C~+60°C / 20%~80%RH	
Dimensions	φ93.2mm×77.5mm	
Weight	500g	
Others	Default: with Pickup	

## DH-CA-D480D

### Dimensions (mm)



### Dahua Technology Co., Ltd.

1187 BinAn Road, Binjiang District, Hangzhou, China

Tel: +86-571-87688883

Fax: +86-571-87688815

Email: [overseas@dahuatech.com](mailto:overseas@dahuatech.com)

[www.dahuatech.com](http://www.dahuatech.com)

\*Design and specifications are subject to change without notice.

© 2012 Dahua Technology Co., Ltd.