

## DH-CA-D170C

### 600TVL Mini Dome Camera



### Features

- > 1/3" HDIS
- > High resolution of 600TVL(Color)
- > Day/Night, ATW, AGC, BLC
- > 3.6mm fixed lens (2.8mm, 6mm, 8mm optional)
- > DC12V

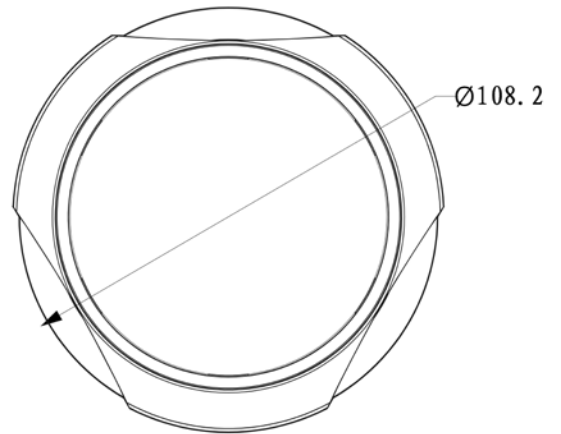
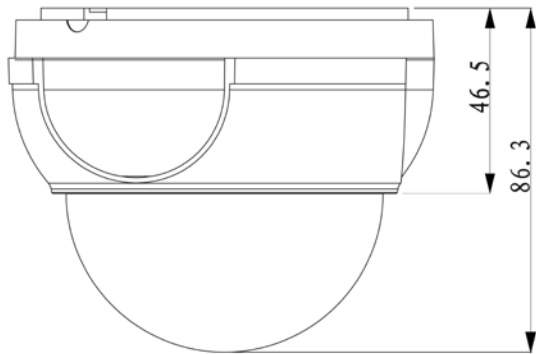
## DH-CA-D170C

### Technical Specifications

Model	DH-CA-D170CP	DH-CA-D170CN
<b>Camera</b>		
Image Sensor	1/3" HDIS	
Effective Pixels	720(H) x480(V)	
Horizontal Resolution	Color: 600TVL	
Electronic Shutter	1/50s~1/100,000s	1/60s~1/100,000s
Synchronization	Internal	
Min. Illumination	0.1Lux@F1.2	
S/N Ratio	> 60dB(AGC Off)	
Video Output	1Vp-p Composite Output (75Ω/BNC)	
<b>Camera Features</b>		
Day/Night	Auto(Electronic) / Color / B/W	
Backlight Compensation	BLC	
White Balance	Auto	
Gain Control	Auto	
<b>Lens</b>		
Focal Length	3.6mm (2.8mm, 6mm, 8mm optional)	
Mount Type	M12	
<b>General</b>		
Power Supply	DC12V±10%	
Power Consumption	Max 1.5W	
Working Environment	-40°C~+60°C / 20%~80%RH	
Dimensions	Φ108.2mm × 86.3mm	
Weight	300g	

## DH-CA-D170C

### Dimensions (mm)



---

### Dahua Technology Co., Ltd.

1187 BinAn Road, Binjiang District, Hangzhou, China

Tel: +86-571-87688883

Fax: +86-571-87688815

Email: [overseas@dahuatech.com](mailto:overseas@dahuatech.com)

[www.dahuatech.com](http://www.dahuatech.com)

\*Design and specifications are subject to change without notice.

© 2012 Dahua Technology Co., Ltd.