

DHI-ARC3000H-FW2(868)

Alarm hub



- Supports 150 wireless peripherals (6 sirens, 64 wireless keyfobs).
- Peripherals status display (signal strength, battery level, temperature, program version).
- Wired, Wi-Fi, 4G, 3G or GPRS network connection.
- Dual SIM and Single Standby.
- Automatic network replenishment (ANR).
- Video linkage on App.
- Frequency hopping function and two-way communication technology ensure communication stability.
- Cloud update and automatic recovery from update failure.

System Overview

An all new industrial design and advanced technological system, makes the new generation of wireless alarm products easier to install, look better, communicate more reliably and perform more stably. From the comfort of the mobile apps DMSS (for end users) and COS Pro (for installers), receive notifications in real-time, control and manage your devices, perform remote operations, and more.

Scene

Mainly applied for villas, shops, apartments, etc.

Technical Specification

Input/Output

| | |
|---------------|--|
| Wireless Zone | 150-channel wireless peripherals (6 sirens, 64 wireless keyfobs) |
|---------------|--|

Port

| | |
|-----------------|--|
| Network Port | 1 × RJ-45 10 M/100 M Ethernet port |
| Network Mode | Single SIM (GSM:900/1800MHz, WCDMA:B1/B5/B8, LTE-FDD:B1/B3/B5/B7/B8/B20, LTE-TDD:B38/B40/B41); dual SIM single standby |
| Storage Battery | Built-in lithium battery |
| Indicator Light | 1 for multiple statuses (alarm, arming, disarming, networking, and malfunction) |
| Button | 1 × reset, 1 × power, 1 × AP |
| Buzzer | Built-in |

Function

| | |
|---------------|-----------------------------|
| Tamper Alarm | Yes |
| SMS | Yes (up to 5 phone numbers) |
| Calling Alarm | Yes (up to 5 phone numbers) |
| Video Linkage | Yes |

| | |
|--|--|
| Network Protocol | TCP/IP, including PPTP, L2TP, DHCP, UPNP, and NTP |
| Remote Upgrade | Cloud update |
| Arm and Disarm | App; keyfob; schedule |
| Power Failure Protection for Configured Parameters | Yes |
| User Management | Share function for App users |
| Cache | Max. 50 entries (ANR) |
| Low Battery Alarm | Yes |
| Search | Search for push messages, device status, and program version, and detect signal strength |

Wireless

| | |
|-------------------------|--|
| Carrier Frequency | 868.0 MHz–868.6 MHz |
| Communication Distance | Up to 2,000 m (6,561.68 ft) in an open space |
| Communication Mechanism | Two-way |
| Encryption Mode | AES128 |
| Wi-Fi | 2.4G/5G |
| Frequency Hopping | Yes |

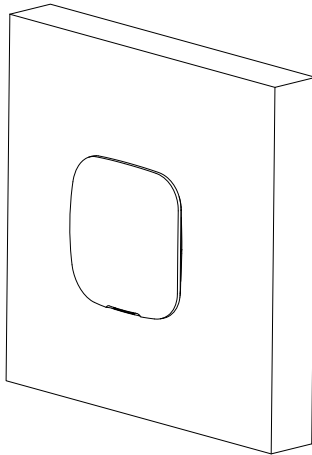
General

| | |
|-----------------------|---|
| Power Supply | 12 V DC, 1.5 A (Europe, UK and USA power adapters are optional) |
| Operating Temperature | −10 °C to +50 °C (+14 °F to +122 °F) (indoor) |
| Operating Humidity | 10%–90% (RH) |
| Product Dimensions | 163.0 mm × 163.0 mm × 32.0 mm (6.42" × 6.42" × 1.26") (L × W × H) |
| Packaging Dimensions | 219.0 mm × 187.0 mm × 91.0 mm (8.62" × 7.36" × 3.58") (L × W × H) |
| Installation | Wall mount; Desktop |
| Net Weight | 0.38 kg (0.84 lb) |

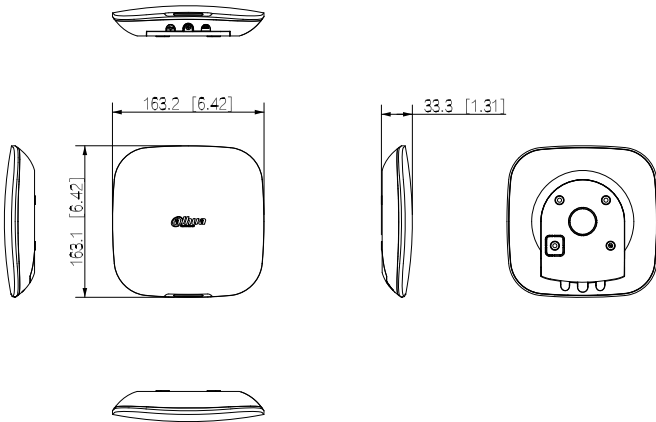
| | |
|----------------|--------------------------------------|
| Gross Weight | 0.8 kg (1.76 lb) |
| Certifications | CE |
| Casing | PC + ABS |
| Battery Life | Storage battery standby for 12 hours |

| Ordering Information | | |
|----------------------|-----------------------|----------------|
| Type | Model | Description |
| Alarm hub | DHI-ARC3000H-FW2(868) | Alarm hub (4G) |

Installation



Dimensions (mm[inch])



Application

