

DHI-ARA43-W2

Alarm Repeater



- Connects up to 32 peripherals.
- Two-way RF communication.
- LED indicator displays device status.
- Supports manual and auto pairing, extending RF distance for your security system.
- Auto switches from dual antennas to reduce blind areas.
- Cloud update and auto recovery of update failure.
- Battery backs device working for over 35 hours when external power supply fails.

System Overview

Alarm repeater is a wireless repeater device that extends the communication range between the alarm hub and other accessories, and forwards messages received from the accessory to the hub. It provides a secondary communication path for accessories, improving the overall stability and reliability of communication of the wireless security system. You can use the DMSS app to manually select a path for accessories or allow the system to automatically select one for them.

Scene

It is suitable for security use in scenes, such as villas with multiple floors, garages that are far away from residential areas, or office buildings and shops with partitions.

Technical Specification

Input/Output

| | |
|---------------|---------------------------|
| Wireless Zone | 32 × wireless peripherals |
|---------------|---------------------------|

Port

| | |
|-----------------|--------------------------------------|
| Storage Battery | Built-in lithium battery |
| Indicator Light | 1 that indicates pairing and working |
| Power Switch | 1 × power switch |

Function

| | |
|--|--------------|
| Pairing Mode | Auto/Manual |
| Tamper Alarm | Yes |
| Remote Update | Cloud update |
| Power Failure Protection for Configured Parameters | Yes |
| Disconnection Detection of External Power Supply | Yes |

| | |
|-------------------|---------------------------|
| Low Battery Alarm | Yes |
| Search | Signal strength detection |

Wireless

| | |
|-------------------------|--|
| Carrier Frequency | 433.1 MHz–434.6 MHz |
| Communication Distance | Up to 1000 m (3280.84 ft) in an open space |
| Communication Mechanism | Two-way |
| Encryption Mode | AES128 |
| Frequency Hopping | Yes |

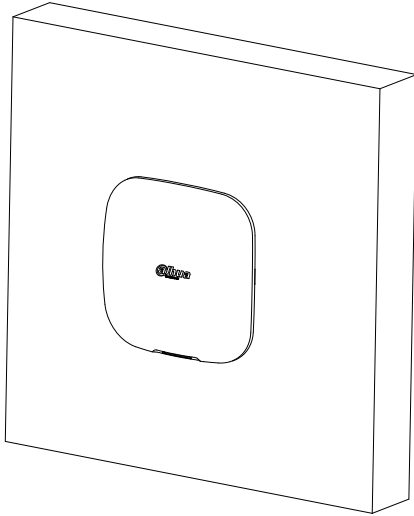
General

| | |
|-----------------------|---|
| Power Supply | 12 VDC, 1.5 A |
| Battery Life | Battery standby time: 35 h |
| Operating environment | −10 °C to +55 °C (+14 °F to +131 °F) (indoor) |
| Operating Humidity | 10%–90% (RH) |
| Product Dimensions | 163.0 mm × 163.0 mm × 32.0 mm (6.42" × 6.42" × 1.26") |
| Packaging Dimensions | 219.0 mm × 187.0 mm × 91.0 mm (8.62" × 7.36" × 3.58") |
| Installation | Wall mount; Desktop |
| Net Weight | 0.32 kg (0.71 lb) |
| Gross Weight | 0.74 kg (1.63 lb) |
| Certifications | CE |
| Casing | PC+ABS |

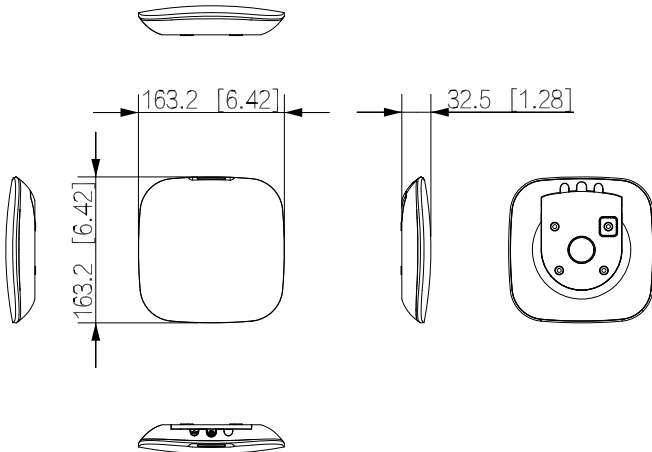
Ordering Information

| Type | Model | Description |
|-----------------|--------------|-------------------|
| Alarm Accessory | DHI-ARA43-W2 | Wireless repeater |

Installation



Dimensions (mm[inch])



Application

