

# DH-PFH610V Series

## 14" Vandal-proof Housing



### Features

- 14" housing, provides all-weather protection for box cameras and lens;
- All-aluminum shell design, IP67, IK10, 14" housing with different function modules: Built-in heating and cooling system, windows adopt water-proof films, 0-100m IR, built-in PoE module and support remote control of IR light by RS485;
- Aesthetic design.

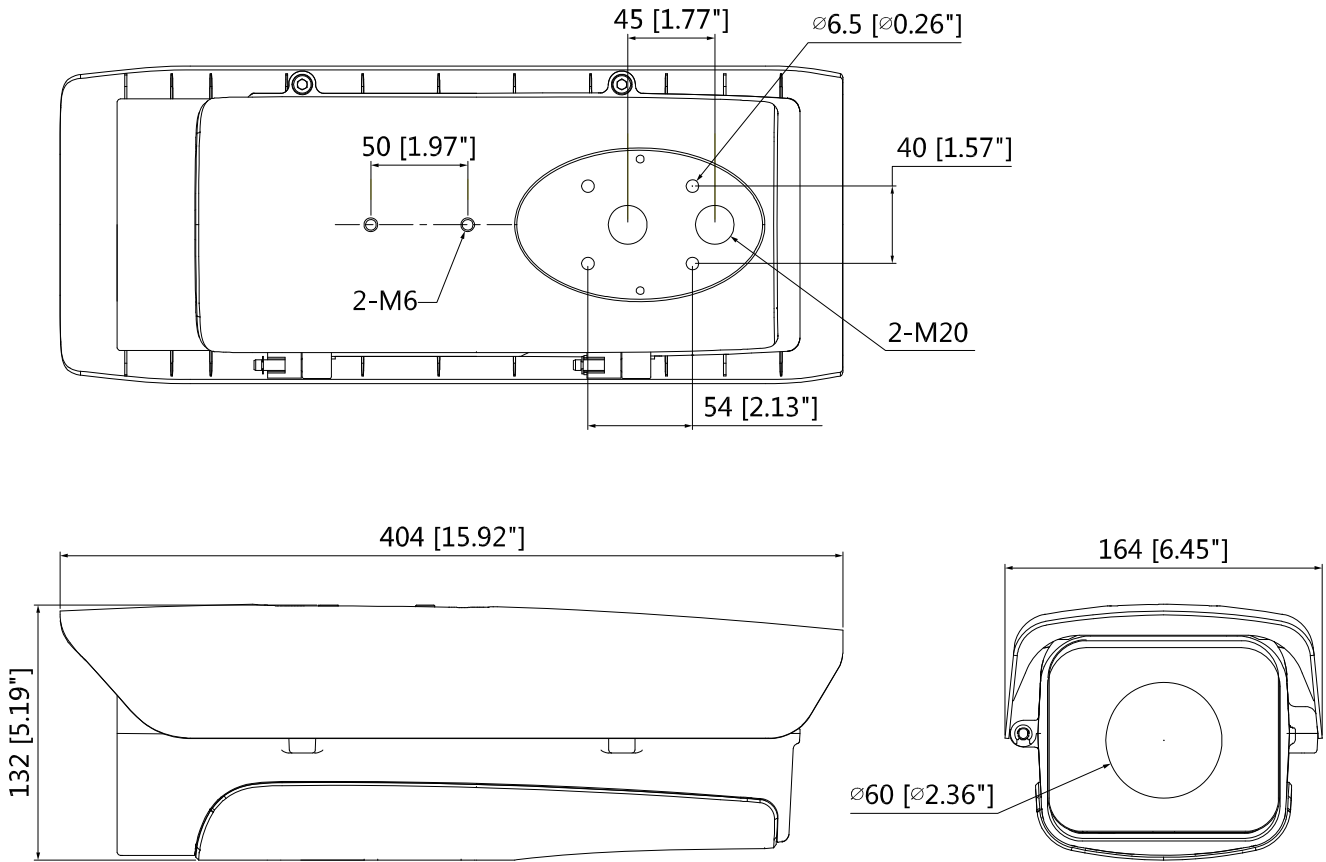
**Technical Specifications**

Model	PFH610V	PFH610V-H	PFH610V-H-POE	PFH610V-IR	PFH610V-IR-POE
<b>General</b>					
Inside Dimension (LxWxH)	215x90x83mm (8.46"x3.54"x3.27")	255x90x70.5mm(10.04"x3.54"x2.78") 215x90x83mm(8.46"x3.54"x3.27")			
Window Dimension	φ60mm(φ2.36")				
Operating Temperature	Set	-30°C ~+60°C (-22°F ~+140°F)	-40°C ~+60°C(-40°F ~+140°F)		
	Heater	N/A	ON: 5±5 °C /OFF: 15±5 °C		ON: <+5°C(+41°F) /OFF: ≥+5°C(+41°F)
	Cooler	N/A	ON: 37±5 °C /OFF: 20±5 °C ON: 5±5 °C /OFF: 15±5 °C		ON: 37±1°C(98.6±33.8°F) /OFF: 20±1°C(68±33.8°F)
IR Distance	N/A		0~100m(0~328.08ft)		
RS485 Control	N/A		Yes, use RS484 to control IR light		
Power Supply	DC12V, AC24V	AC24V/3A, DC24V	POE+	AC24V/5A, DC24V	POE+
Power Consumption (without camera)	N/A	45W	25.5W	67W	25W
<b>Environmental</b>					
Operating Temperature	-30°C ~60°C (-22°F ~+140°F)	-40°C ~60°C (-40°F ~+140°F)			
Humidity	<90% RH				
Ingress Protection	IP67				
Vandal Resistance	IK10				
Corrosion Protection	N/A				
<b>Construction</b>					
Material	Aluminum(case)&PC(others)				
Dimension(LxWxH)	404mmx164mmx132mm(15.91"x6.46"x5.2")				
Weight	2.5kg(5.51lb)	2.7kg(5.95lb)	3.0kg(6.61lb)	3.0kg(6.61lb)	3.2kg(7.05lb)
<b>Others</b>					
Certification	CE, FCC, ICES	CE, FCC, UL, EAC, ICES	CE, FCC	CE, FCC, UL, EAC, ICES	CE, FCC, ICES
Applicable Model	Please see "Accessory Selection"				

**Order Information**

Type	Part Number	Description
Housing Series	DH-PFH610V	14" vandal-proof housing, IP67, IK10, without any modules
	PFH610V	14" vandal-proof housing, IP67, IK10, without any modules
	DH-PFH610V-H	14" vandal-proof housing, IP67, IK10, heater
	PFH610V-H	14" vandal-proof housing, IP67, IK10, heater
	DH-PFH610V-H-POE	14" vandal-proof housing, IP67, IK10, heater, POE+
	PFH610V-H-POE	14" vandal-proof housing, IP67, IK10, heater, POE+
	DH-PFH610V-IR	14" vandal-proof housing, IP67, IK10, heater, IR
	PFH610V-IR	14" vandal-proof housing, IP67, IK10, heater, IR
	DH-PFH610V-IR-POE	14" vandal-proof housing, IP67, IK10, heater, IR, POE+
	PFH610V-IR-POE	14" vandal-proof housing, IP67, IK10, heater, IR, POE+
Optional Brackets	PFB604W	Wall-mount bracket
	PFB600W	Plane-mount bracket
	PFB601W	Ceiling-mount bracket
	PFA162	Support three-axis rotation for housing installation

**Dimensions (mm/inch)**



## Application



## Package Information

### PFH610V

- 14" vandal-proof housing \*1
- Installation instruction \*1
- M20 water joint \*2
- 1/4/20×8UNC screw \*2
- S5.0 wrench \*1

### PFH610V-H

- 14" vandal-proof IR housing \*1
- Installation instruction \*1
- M20 water joint \*2
- 1/4/20×8UNC screw \*2
- S5.0 wrench \*1
- Connecting line(link camera to IR driver board) \*1

### PFH610V-H-POE

Bag 1:

- 14" vandal-proof POE housing \*1
- Installation instruction \*1
- M20 water joint \*2
- 1/4/20×8UNC screw \*2
- S5.0 wrench \*1
- Connecting line(link POE board to temperature control board) \*1

Bag 2:

- 1/4/20×8UNC screw \*1
- Temperature control board \*1

### PFH610V-IR

- 14" vandal-proof IR housing \*1
- Installation instruction \*1
- M20 water joint \*2
- 1/4/20×8UNC screw \*2
- S5.0 wrench \*1
- Connecting line(link camera to IR driver board) \*1

### PFH610V-IR-POE

- 14" vandal-proof IR POE housing \*1
- Installation instruction \*1
- M20 water joint \*2
- 1/4/20×8UNC screw \*2
- S5.0 wrench \*1
- Connecting line(link camera to IR driver board) \*1
- Network cable(link camera to POE power module) \*1
- Terminal block \*1