

## DS-2DF8225IH-AEL(W) (D) 2MP 25× IR Network Speed Dome

DarkFighterX



Hikvision DS-2DF8225IH-AEL(W) 2MP 25× IR Network Speed Dome is a DarkfighterX series camera that adopts the patented dual-sensor design to process color and brightness independently, and outputs one FULL-COLOR image.

### Key Features

- Dual-sensor, 1/2.8" Progressive Scan CMOS
- Full-color image output
- Up to 1920 × 1080 resolution
- Min. illumination:  
Color: 0.0004 Lux @(F1.5, AGC ON)  
B/W: 0.0001 Lux @(F1.5, AGC ON)  
0 Lux with IR
- 25× Optical Zoom, 16× Digital Zoom
- Support H.265+/H.265 video compression
- Deep-learning-based target classification algorithm for auto-tracking 2.0 and perimeter protection
- 120 dB WDR, 3D DNR, HLC, BLC, EIS
- Up to 200 m IR distance, smart IR
- 24 VAC & Hi-PoE
- Optical defog
- Rapid focus
- Wiper, optional
- IK10 for model without wiper
- IP67



[www.hikvision.com](http://www.hikvision.com)

## Specification

Camera Module	
Image Sensor	Two 1/2.8" progressive scan CMOS
Min. Illumination	Color: 0.0004 Lux @(F1.5, AGC ON) B/W: 0.0001Lux @(F1.5, AGC ON) 0 Lux with IR
White Balance	Auto/Manual/ATW (Auto Tracking White Balance)/Indoor/Outdoor/Fluorescent Lamp/Sodium Lamp
AGC	Auto/Manual
Shutter Time	1/1 s to 1/30,000 s
Day & Night	Controlled by dual-sensor
Digital Zoom	16×
Privacy Mask	24 programmable polygon privacy masks, mask color or mosaic configurable
Focus Mode	Auto/Semi-automatic/Manual
WDR	120 dB
Lens	
Focal Length	4.8 mm to 120 mm, 25× Optical
Zoom Speed	Approx. 4.4 s (optical lens, wide-tele)
FOV	Horizontal field of view: 58.2° to 3.2° (wide-tele) Vertical field of view: 32.7° to 1.8° (wide-tele) Diagonal field of view: 66.8° to 3.7° (wide-tele)
Working Distance	10 mm to 1500 mm (wide-tele)
Aperture Range	F1.5 to F3.5
IR	
IR Distance	Up to 200 m
Smart IR	Yes
PTZ	
Movement Range (Pan)	360° endless
Pan Speed	Configurable, from 0.1°/s to 210°/s, Preset Speed: 280°/s
Movement Range (Tilt)	From -20° to 90°
Tilt Speed	Configurable, from 0.1°/s to 150°/s, Preset Speed: 250°/s
Proportional Zoom	Yes
Presets	300
Patrol Scan	8 patrols, up to 32 presets for each patrol
Pattern Scan	4 pattern scans, record time over 10 minutes for each scan
Power-off Memory	Yes
Park Action	Preset/Pattern Scan/Patrol Scan/Auto Scan/Tilt Scan/Random Scan/Frame Scan/Panorama Scan
3D Positioning	Yes
PTZ Position Display	ON/OFF
Preset Freezing	Yes
Scheduled Task	Preset/Pattern Scan/Patrol Scan/Auto Scan/Tilt Scan/Random Scan/Frame Scan/Panorama Scan/Dome Reboot/Dome Adjust/Aux Output
Compression Standard	
Video Compression	Main Stream: H.265+/H.265/H.264+/H.264 Sub-Stream: H.265/H.264/MJPEG Third Stream: H.265/H.264/MJPEG
H.264 Type	Baseline Profile/Main Profile/High Profile
H.264+	Yes

H.265 Type	Main Profile
H.265+	Yes
Video Bitrate	256 kbps to 16384 kbps
Audio compression	G.711alaw/G.711ulaw/G.722.1/G.726/MP2L2/PCM
Audio Bitrate	64Kbps(G.711)/16Kbps(G.722.1)/16Kbps(G.726)/32-160Kbps(MP2L2)
SVC	Yes
<b>Smart Features</b>	
Perimeter Protection	Intrusion, Line Crossing, Region Entrance, Region Exiting Support alarm triggering by specified target types (human and vehicle) Filtering out mistaken alarm caused by target types such as leaf, light, animal, and flag, etc.
Event Detection	Face Detection, Audio Exception Detection, Motion Detection, Video Tampering Detection, Exception (Network Disconnected, IP Address Conflict, HDD Full, HDD Error, Illegal Login)
Smart Tracking	Event Tracking, supports tracking in multiple detection scenes
Smart Record	ANR (Automatic Network Replenishment), Dual-VCA
ROI	Eight fixed region for each stream
<b>Image</b>	
Max. Resolution	1920 × 1080
Main Stream	50Hz: 25fps (1920 × 1080, 1280 × 960, 1280 × 720) 60Hz: 30fps (1920 × 1080, 1280 × 960, 1280 × 720)
Sub-Stream	50Hz: 25fps (704 × 576, 640 × 480, 352 × 288) 60Hz: 30fps (704 × 480, 640 × 480, 352 × 240)
Third Stream	50Hz: 25fps (1920 × 1080, 1280 × 960, 1280 × 720, 704 × 576, 640 × 480, 352 × 288) 60Hz: 30fps (1920 × 1080, 1280 × 960, 1280 × 720, 704 × 480, 640 × 480, 352 × 240)
Image Enhancement	HLC, BLC, 3D DNR, Optical Defog, Regional Exposure, Regional Focus, EIS
SVC	Yes
<b>Network</b>	
Network Storage	Built-in memory card slot, support Micro SD/SDHC/SDXC, up to 256 GB; NAS (NFS, SMB/CIFS), ANR
Alarm Linkage	Alarm actions, such as Preset, Patrol Scan, Pattern Scan, Memory Card Video Record, Trigger Recording, Notify Surveillance Center, Upload to FTP/Memory Card/NAS, Send Email, etc.
Protocols	IPv4/IPv6, HTTP, HTTPS, 802.1x, Qos, FTP, SMTP, UPnP, SNMP, DNS, DDNS, NTP, RTSP, RTCP, RTP, TCP/IP, UDP, IGMP, ICMP, DHCP, PPPoE, Bonjour
API	ONVIF (Profile S, Profile G, Profile T), ISAPI, SDK
Simultaneous Live View	Up to 20 channels
User/Host	Up to 32 users. 3 levels: Administrator, Operator and User
Security Measures	User authentication (ID and PW), Host authentication (MAC address); HTTPS encryption; IEEE 802.1x port-based network access control; IP address filtering
Client	iVMS-4200
Web Browser	IE 8 to 11, Chrome 31.0+, Firefox 30.0+, Edge 16.16299+, Safari 11+
<b>Interface</b>	
Alarm Interface	7-ch alarm input/2-ch alarm output
Audio Interface	1-ch audio input, 2 to 2.4 V[p-p], 1 K $\Omega$ $\pm$ 10% 1-ch audio output, line level, impedance: 600 $\Omega$
Network Interface	1 RJ45 10 M/100 M Ethernet Interface, Hi-PoE
RS-485	Half duplex, HIKVISION, Pelco-P, Pelco-D, self-adaptive
BNC	1.0 V [p-p]/75 $\Omega$ , NTSC (or PAL) composite, BNC
<b>General</b>	

Language (Web Browser Access )	32 languages. English, Russian, Estonian, Bulgarian, Hungarian, Greek, German, Italian, Czech, Slovak, French, Polish, Dutch, Portuguese, Spanish, Romanian, Danish, Swedish, Norwegian, Finnish, Croatian, Slovenian, Serbian, Turkish, Korean, Traditional Chinese, Thai, Vietnamese, Japanese, Latvian, Lithuanian, Portuguese (Brazil)
Power	Without wiper: 24 VAC, max. 68 W (max. 12 W for heater, and max. 15 W for IR), Hi-PoE, max. 60 W With wiper: 24 VAC max. 70 W (max. 12 W for heater, and max. 15 W for IR), Hi-PoE, max. 60 W
Working Environment	Temperature: -40°C to 70°C (-40°F to 158°F) Humidity: ≤ 95%
Wiper	Optional
Protection Level	IP67 Standard. Lightning protection, surge protection and voltage transient protection meets IEC61000-4-2-2/3/4/5/6
Material	Aluminum alloy
Dimensions	Φ 266.6 mm × 412 mm (Φ 10.50" × 16.22")
Weight	Approx. 8 kg (17.64 lb)

## DORI

The DORI (detect, observe, recognize, identify) distance gives the general idea of the camera ability to distinguish persons or objects within its field of view.

It is calculated based on the camera sensor specification and the criteria given by EN 62676-4: 2015.

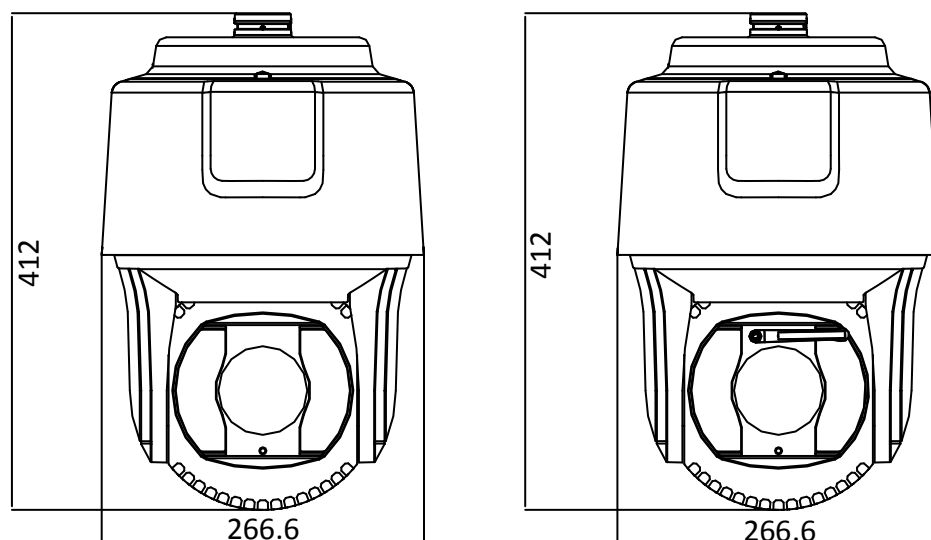
DORI	Detect	Observe	Recognize	Identify
Definition	25 px/m	63 px/m	125 px/m	250 px/m
Distance (Tele)	1379.3 m (4525.3 ft)	547.3 m (1795.8 ft)	275.9 m (905.1 ft)	137.9 m (452.5 ft)

## Order Model

DS-2DF8225IH-AEL (D), without wiper, 24 VAC & Hi-PoE

DS-2DF8225IH-AELW (D), with wiper, 24 VAC & Hi-PoE

## Dimensions



Unit: mm

## Accessory

### Included:



Installation adapter

### Optional:



DS-1604ZJ-P  
Wall mount with junction box



DS-1661ZJ-P  
Pendant mount



DS-1682ZJ-P  
Extendable pole for pendant mount



DS-1662ZJ-P  
Pendant mount



DS-1604ZJ-Corner-P  
Corner mount



DS-1604ZJ-BOX-CORNER-P  
Wall mount with junction box



LAS60-57CN-RJ45  
Hi-PoE midspan



DS-1663ZJ-P  
Ceiling mount



DS-1660ZJ-P  
Parapet mount



DS-1667ZJ-P  
Extendable pole for pendant mount



DS-1604ZJ-Pole-P  
Vertical pole mount



DS-1604ZJ-BOX-P  
Wall mount with junction box



DS-1604ZJ-BOX-POLE-P  
Vertical pole mount with junction box



HKKD-13002 (EU)  
A24-5A-950 (USA)  
MKAC-76-245000V (UK)  
Power adapter

Distributed by



## HIKVISION®

### Headquarters

No.555 Qianmo Road, Binjiang District,  
Hangzhou 310051, China  
T +86-571-8807-5998  
overseasbusiness@hikvision.com

**Hikvision USA**  
T +1-909-895-0400  
sales.usa@hikvision.com

**Hikvision Australia**  
T +61-2-8599-4233  
salesau@hikvision.com

**Hikvision India**  
T +91-22-28469900  
sales@pramahikvision.com

**Hikvision Canada**  
T +1-866-200-6690  
sales.canada@hikvision.com

**Hikvision Thailand**  
T +662-275-9949  
sales.thailand@hikvision.com

**Hikvision Europe**  
T +31-23-5542770  
sales.eu@hikvision.com

**Hikvision Italy**  
T +39-0438-6902  
info.it@hikvision.com

**Hikvision Brazil**  
T +55 11 3318-0050  
Latam.support@hikvision.com

**Hikvision Turkey**  
T +90 [216]521 7070- 7074  
sales.tr@hikvision.com

**Hikvision Malaysia**  
T +601-7652-2413  
sales.my@hikvision.com

**Hikvision UK & Ireland**  
T +01628-902140  
sales.uk@hikvision.com

**Hikvision South Africa**  
Tel: +27 (10) 0351172  
sale.africa@hikvision.com

**Hikvision France**  
T +33[0]1-85-330-450  
info.fr@hikvision.com

**Hikvision Kazakhstan**  
T +7-727-9730667  
nikia.panfilov@hikvision.ru

**Hikvision Vietnam**  
T +84-974270888  
sales.vt@hikvision.com

**Hikvision UAE**  
T +971-4-4432090  
salesme@hikvision.com

**Hikvision Singapore**  
T +65-6684-4718  
sg@hikvision.com

**Hikvision Spain**  
T +34-91-737-16-55  
info.es@hikvision.com

**Hikvision Tashkent**  
T +99-87-1238-9438  
uzb@hikvision.ru

**Hikvision Hong Kong**  
T +852-2151-1761  
info.hk@hikvision.com

**Hikvision Russia**  
T +7-495-669-67-99  
saleru@hikvision.com

**Hikvision Korea**  
T +82-[0]31-731-8817  
sales.korea@hikvision.com

**Hikvision Poland**  
T +48-22-460-01-50  
info.pl@hikvision.com

**Hikvision Indonesia**  
T +62-21-2933759  
Sales.Indonesia@hikvision.com

**Hikvision Colombia**  
sales.colombia@hikvision.com