

## DS-2CE16D9T-AIRAZH HD1080P WDR Motorized VF EXIR Bullet Camera



### Key Feature

- 2 Megapixel high-performance CMOS
- Analog HD output, up to 1080P resolution
- 5-50mm motorized VF lens, auto focus
- True Day/Night
- OSD menu, 3D DNR, Smart IR
- True WDR, up to 120dB
- Up to 120m IR distance
- IP66 weatherproof
- Up the Coax(HIKVISION-C, Pelco-C protocol)



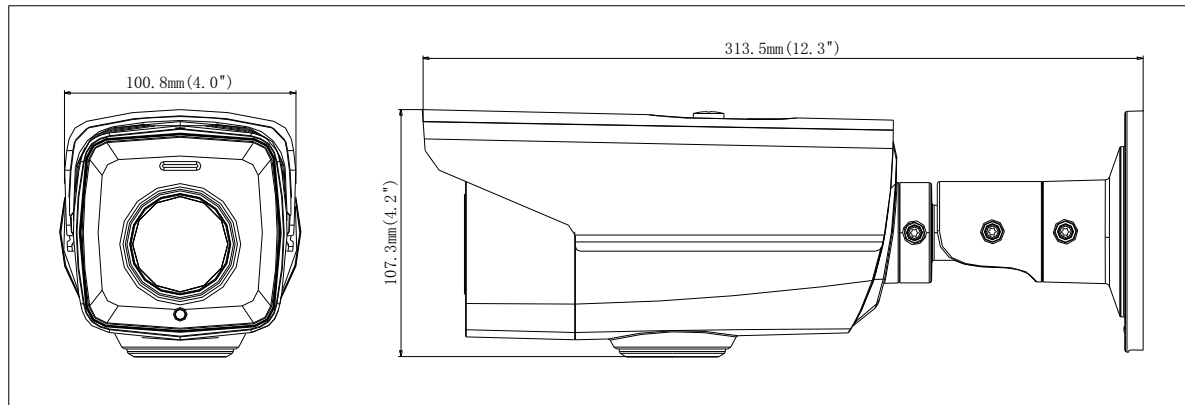
## Specification

| <b>Camera</b>        |  |
|----------------------|--|
| Image Sensor         | 2MP CMOS Image Sensor  |
| Signal System        | PAL/NTSC   |
| Effective Pixels     | 1944(H)*1092(V)  |
| Min. illumination    | 0.003 Lux @ (F1.2,AGC ON), 0 Lux with IR   |
| Shutter Time         | 1/25(1/30)s to 1/50,000s   |
| Lens                 | 5-50mm motorized VF lens   |
|                      | Angle of view: 59.8°-6.2°  |
| Day & Night          | ICR  |
| Angle Adjustment     | Pan: 0° - 360°; Tilt:0° - 90°; Rotate: 0° - 360°   |
| Synchronization      | Internal synchronization   |
| WDR                  | 120dB  |
| Video Frame Rate     | 1080P@25/30fps   |
| HD Video Output      | 1 Analog HD output   |
| CVBS Output          | 1Vp-p Composite Output(75Ω/BNC)  |
| S/N Ratio            | >62dB  |
| <b>Menu</b>          |  |
| Camera ID            | On/off (15 characters, position programmable)  |
| AGC                  | Support  |
| D/N Mode             | Color/BW/EXT   |
| White Balance        | ATW/ AWC-SET/ Manual   |
| Privacy Mask         | On/Off, maximum 8 zones  |
| Motion Detection     | On/Off, maximum 4 zones  |
| BLC                  | Support  |
| Anti-flicker         | On/off   |
| Language             | Chinese/ English   |
| Functions            | HSBLC, Digital noise reduction, Digital zoom(62x), Slow shutter, Mirror, Defog, Defect pixel correction, SMART D-ZOOM, LSC (Lens Shading Correction) |
| Scene                | Indoor/ Outdoor/ Indoor1/ LOW-LIGHT  |
| <b>General</b>       |  |
| Operating Conditions | -40 °C – 60 °C (-40 °F – 140 °F), Humidity 90% or less (non-condensing)  |
| Power Supply         | AC24V±15%/ DC12V±15%, Heater is available with 24VAC only  |
| Power Consumption    | Max. 20W   |
| Protection Level     | IP66   |
| IR Range             | Up to 120m   |
| Communication        | Up the coax, Protocol: Pelco-C(CVBS output), HIKVISION-C(TVI output)   |
| Dimensions           | 313.5x100.8x107.3mm  |
| Weight               | 1650g  |

## Order Model

DS-2CE16D9T-AIRAZH

## Dimension



## Accessory



DS-1275ZJ-SUS  
Vertical Pole Mount



DS-1280ZJ-S  
Junction Box



DS-1H18  
Video Balun



DS-TT-X41T  
TVI Tester



DS-1276ZJ-SUS  
Horizontal Pole Mount

Distributed by



### Headquarters

No.555 Qianmo Road, Binjiang District,  
Hangzhou 310051, China  
T +86-571-8807-5998  
overseasbusiness@hikvision.com

**Hikvision Poland**  
T +48-22-460-01-50  
poland@hikvision.com

**Hikvision USA**  
T +1-909-895-0400  
sales.usa@hikvision.com

**Hikvision India**  
T +91-22-28469900  
sales@pramahikvision.com

**Hikvision UK**  
T +44-1628-9021-4  
support.uk@hikvision.com

**Hikvision Europe**  
T +31-23-5542770  
saleseuro@hikvision.com

**Hikvision Italy**  
T +39-0438-6902  
info.it@hikvision.com

**Hikvision Singapore**  
T +65-6684-4718  
sg@hikvision.com

**Hikvision Middle East**  
T +971-4-8816086  
salesme@hikvision.com

**Hikvision France**  
T +33(0)1-85-330-444  
info.fr@hikvision.com

**Hikvision Oceania**  
T +61-2-8599-4233  
salesau@hikvision.com

**Hikvision Russia**  
T +7-495-669-67-99  
saleru@hikvision.com

**Hikvision Spain**  
T +34-91-737-16-55  
info.es@hikvision.com

**Hikvision Hong Kong**  
T +852-2151-1761