

DH-CA-FW480

700TVL Water-proof IR Camera



Features

- > 1/3" SONY EXview HAD CCD II & Effio-E DSP
- > High resolution of 700TVL(Color)
- > DWDR, AGC, ATW, BLC
- > 4~9mm varifocal lens (2.8~12mm optional)
- > Max. IR LEDs length 30m, Smart IR
- > IP66, DC12V (-A model: DC12V/AC24V dual power supply)

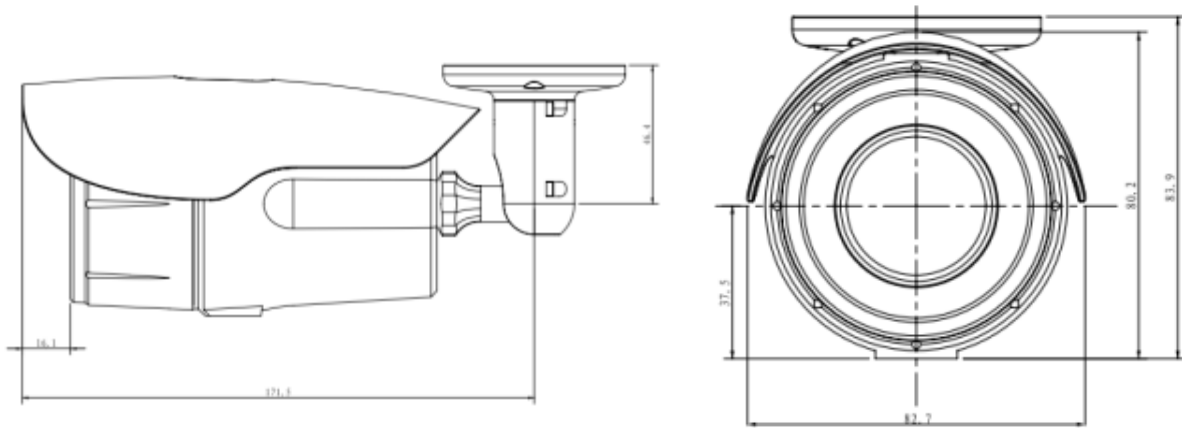
DH-CA-FW480

Technical Specifications

| Model | DH-CA-FW480P | DH-CA-FW480N |
|------------------------|--|------------------------------|
| Camera | | |
| Image Sensor | 1/3" EXview HAD CCD II | |
| Effective Pixels | 976(H) x 582(V), 570K pixels | 976(H) x 494(V), 480K pixels |
| Horizontal Resolution | Color: 700TVL, B/W: 750TVL | |
| Electronic Shutter | Auto: 1/50s~1/100,000s | Auto: 1/60s~1/100,000s |
| Synchronization | Internal | |
| Min. Illumination | 0.02Lux@F1.2 (0Lux IR LED On) | |
| S/N Ratio | >60dB | |
| Video Output | 1Vp-p Composite Output (75Ω/BNC) | |
| Camera Features | | |
| Max. IR LEDs Length | 30m, Smart IR | |
| Day/Night | Auto(Electronic) / Color / B/W | |
| Backlight Compensation | BLC / HLC / DWDR | |
| White Balance | Auto Trace WB1 / Auto Trace WB2 / Manual / Auto | |
| Gain Control | Auto / Manual | |
| Lens | | |
| Focal Length | 4~9mm (2.8~12mm optional) | |
| Focus Control | Manual | |
| Lens Type | Manual | |
| Mount Type | Φ14 | |
| General | | |
| Power Supply | DC12V±10%(-A model: DC12V/AC24V dual power supply) | |
| Power Consumption | Max 7.5W | |
| Working Environment | -30°C~+60°C / 20%~80%RH | |
| Ingress Protection | IP66 | |
| Dimensions(W×D×H) | 83.9mm× 202mm × 82.7mm | |
| Weight | 650g | |
| Others | Default: with Bracket | |

DH-CA-FW480

Dimensions (mm)



Dahua Technology Co., Ltd.

1187 BinAn Road, Binjiang District, Hangzhou, China

Tel: +86-571-87688883

Fax: +86-571-87688815

Email: overseas@dahuatech.com

www.dahuatech.com

*Design and specifications are subject to change without notice.

© 2012 Dahua Technology Co., Ltd.