

DH-CA-DW480D

700TVL Waterproof IR Mobile Dome Camera



Model

DH-CA-DW480DP: 700TVL, IR LED, PAL

DH-CA-DW480DN: 700TVL, IR LED, NTSC

Features

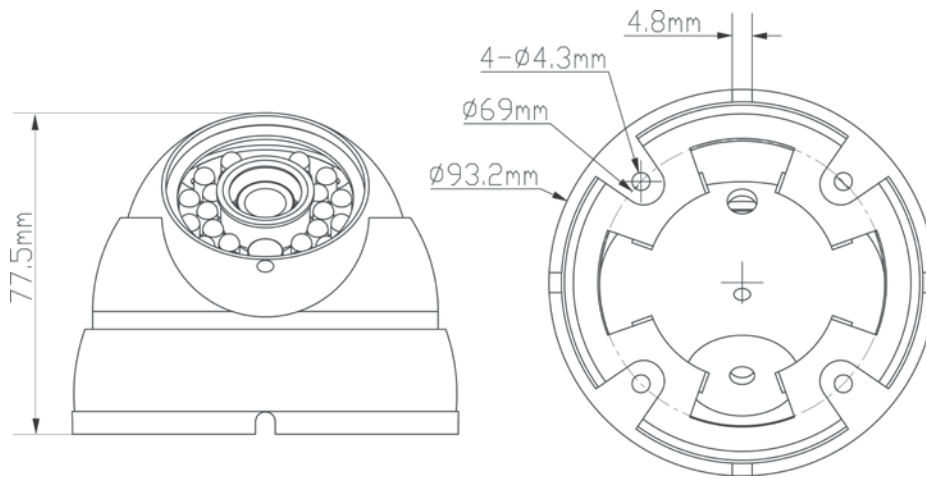
- > 1/3" SONY EXview HAD CCD II & Effio-E DSP
- > High resolution of 700TVL(Color)
- > Mini. Illumination of Color: 0.02Lux@F1.2 (0Lux IR LED On)
- > AWB, AGC, BLC
- > Lens: 3.6mm (2.8mm optional)
- > Max. IR distance is 10m
- > Unique dual-ring structure design to prevent light leakage
- > DC12V

DH-CA-DW480D

Specifications

Model	DH-CA-DW480DP	DH-CA-DW480DN
Camera		
Image Sensor	1/3" EXview HAD CCD II	
Video Format	PAL	NTSC
Effective Pixels	976(H) x 582(V), 570K pixels	976(H) x 494(V), 480BK pixels
Horizontal Resolution	Color: 700TVL	
Mini. Illumination	Color: 0.02Lux@F1.2 (0Lux IR LED On)	
Electronic Shutter	1/50s~1/100,000s	1/60s~1/100,000s
AGC	Auto	
White Balance	ATW	
Backlight	BLC	
Day/Night	Auto / B/W / Color	
Synchronization	Internal	
S/N Ratio	>60dB(AGC Off)	
Video Output	1Vp-p Composite Output (75Ω/BNC)	
Audio Output	Support	
Lens		
Focal Length	Default: 3.6mm (2.8mm optional)	
Lens Type	Manual	
General		
Power Supply	DC12V±10%	
IR Distance	Max.10m	
Power Consumption	Max 5W	
Working Temperature	-30°C~+60°C	
Dimension	Φ93.2mm×77.5mm	
Weight	500g	

DH-CA-DW480D



Dahua Technology Co., Ltd. 1187BinAn Road, Binjiang District, Hangzhou, China
Tel: 66956096-09126017817-09107616575
email: imensazaa@gmail.com
www.irandahua.com