

## DH-SD6423/30/36/70/63E/65E/66E/23C-HN

### D1 Cost-effective Network IR PTZ Dome Camera



**DH-SD6423-HN:** 23x optical zoom, 1/4" Super HAD CCD II, 600TVL, 25/30fps@D1(4CIF), IR LED, IP66, Dahua Block Camera

**DH-SD6430-HN:** 30x optical zoom, 1/4" Super HAD CCD II, 600TVL, 25/30fps@D1(4CIF), IR LED, IP66, Dahua Block Camera

**DH-SD6436-HN:** 36x optical zoom, 1/4" Super HAD CCD II, 600TVL, 25/30fps@D1(4CIF), IR LED, IP66, Dahua Block Camera

**DH-SD6470-HN:** 23x optical zoom, 1/3" EXview HAD CCD II, 700TVL, 25/30fps@D1(4CIF), IR LED, IP66, Dahua Block Camera

**DH-SD6463E-HN:** 18x optical zoom, 1/4" EXview HAD CCD, 600TVL, 25/30fps@D1(4CIF), IR LED, IP66, SONY WDR Block Camera

## **DH-SD6423/30/36/70/63E/65E/66E/23C-HN**

**DH-SD6465E-HN:** 28x optical zoom, 1/4" EXview HAD CCD, 600TVL, 25/30fps@D1(4CIF), IR LED, IP66, SONY WDR Block Camera

**DH-SD6466E-HN:** 36x optical zoom, 1/4" EXview HAD CCD, 600TVL, 25/30fps@D1(4CIF), IR LED, IP66, SONY WDR Block Camera

**DH-SD6423C-HN:** 23x optical zoom, 1/4" CMOS, 540TVL, 25/30fps@D1 (4CIF), IR LED, IP66, Dahua Block Camera

### **Features**

#### **Camera**

- Advanced camera DSP brings high-resolution and low-light
- High resolution @700TVL/600TVL/540TVL
- The max min. illumination is 0.001Lux@F1.6(Color), 0.0001Lux@F1.6(B/W)
- Multiple optical zooms@18x/23x/28x/30x/36x
- H.264 & Dual-stream video encoding and JPEG image capture
- 25/30fps@D1(4CIF)/HD1/CIF/VGA resolution
- Day/Night (ICR), DNR (2D&3D), WDR, Auto iris, Auto focus, AWB, AGC, BLC
- Built-in Web server, NVR, CMS(PSS/DSS) & DMSS

#### **Dome Drive**

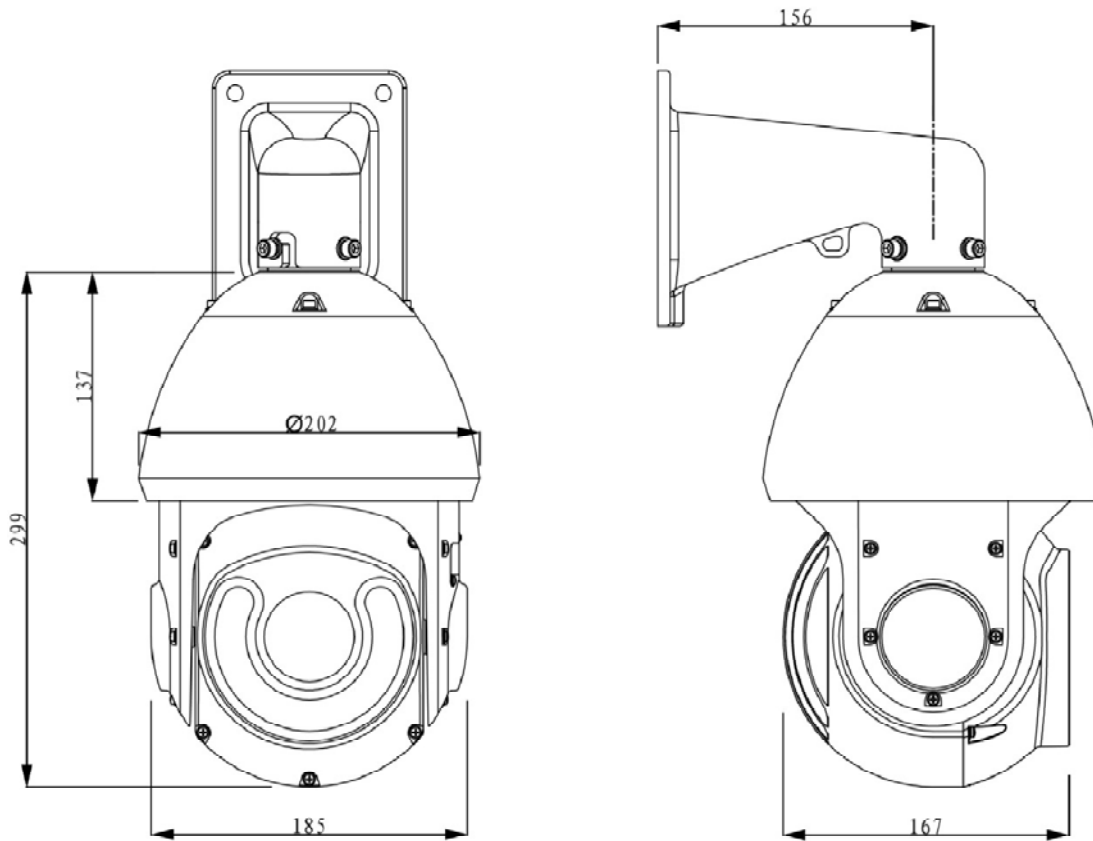
- Max 240°/s pan speed, 360° continuous pan rotation & auto flip with no blind spot monitor
- Up to 255 preset, 5 auto scan, 8 tour, 5 pattern
- Auto recognition of general protocols such as DH-SD, Pelco-P/D, and etc
- Speed setup according to the focal distance, auto rotation speed adjust in accordance with the lens zoom rate
- Auto restore to previous PTZ and lens status after power failure
- Time Task: Auto activation of Preset/Scan/Tour/ Pattern by preset-time
- Idle task function supported: Call preset/tour and etc operations after idle for the specified time (including the idle status after the system boots up)
- OSD and operation prompts of various languages
- Build-in 2/1 channel alarm input/output
- Unique 3D positioning function
- IP66 all-environments protection, 4000V thunder-proof, auto constant temperature & anti-fog

#### **IR LED**

- The max. IR distance is over 60m

## DH-SD6423/30/36/70/63E/65E/66E/23C-HN

### Dimensions (mm)



## DH-SD6423/30/36/70/63E/65E/66E/23C-HN

### Specifications:

Model	SD6423-HN	SD6430-HN	SD6436-HN	SD6470-HN	SD6463E-HN	SD6465E-HN	SD6466E-HN	SD6423C-HN
	SD6423N-HN	SD6430N-HN	SD6436N-HN	SD6470N-HN	SD6463EN-HN	SD6465EN-HN	SD6466EN-HN	SD6423CN-HN
<b>Camera</b>								
Image Sensor	1/4" Super HAD CCD II			1/3" EXview HAD CCD II	1/4" EXview HAD CCD			1/4" CMOS
Effective Pixels	752(H) x 582(V) 768(H) x 494(V)			976 (H) x 582(V) 976 (H) x 494(V)	752(H) x 582(V), 768(H) x 494(V)			640H) x 480(V)
Horizontal Resolution	600TVL(Color) 650 TVL (B/W)			700TVL(Color) 750TVL (B/W)	600TVL(Color) 650TVL (B/W)			540TVL
Min. Illumination	Color: 0.01 Lux B/W: 0.001Lux			Color: 0.001 Lux B/W:0.0001Lux	Color: 0.04 lux B/W:0.01 lux	Color:0.04 lux B/W:0.005 lux	Color:0.1 lux B/W:0.01 lux	Color: 0.5Lux B/W:0.05Lux
Lens	Optical zoom: 23x	Optical zoom 30x	Optical zoom 36x	Optical zoom 23x	Optical zoom 18x	Optical zoom 28x	Optical zoom 36x	Optical zoom 23x
	f=3.9mm(wide) ~89.7mm(tele), (F1.6~2.7)	f=3.4mm(wide) ~102mm(tele), (F1.6~4.5)	f=3.4mm(wide) ~122.4mm(tele), (F1.6~4.5)	f= 3.9mm(wide) ~89.7 mm(tele), (F1.6~2.7)	f=4.1mm(wide) ~73.8mm(tele), F1.4 ~ F3.0	f=3.5mm(wide) ~98.0mm(tele), F1.35 ~ F3.7	f=3.4mm(wide) ~122.4mm(tele), F1.6 ~ F4.5	f=3.9mm(wide) ~89.7mm(tele), (F1.6~3.7)
Digital Zoom	16x				12x			/
Angle of View	61.68°(wide) ~ 3.06°(tele)	57.58°(wide)~ 2.3°(tele)	57.8°(wide)~ 1.7°(tele)	57.58°(wide) ~ 3.12° (tele)	48°(wide) ~ 2.8°(tele)	55.8°(wide) ~ 2.1°(tele)	57.8°(wide) ~ 1.7°(tele)	53.5°(wide) ~ 2.62°(tele)
Close Focus Distance	100mm (wide) ~ 1500mm (Tele)			100mm (wide) ~1000mm (Tele)	10mm(wide) ~ 800mm(Tele)	10mm(wide) ~ 1500mm(Tele)	10mm(wide) ~ 1500mm(Tele)	100mm (wide) ~ 1000mm (Tele)
Electronic Shutter	Auto: 1/1s ~1/100,000s Manual: 1/1s ~1/10,000s				1/1 to 1/10,000 s			1/50s~ 1/10,000s

## DH-SD6423/30/36/70/63E/65E/66E/23C-HN

Day/Night	ICR		
Privacy Masking	Support		N/A
WDR	Digital WDR	WDR	N/A
Noise Reduction	2D / 3D		2D
Gain Control	Auto / Manual	Auto / Manual / Max. Gain Limit (-3 dB to +28 dB, 2 dB steps)	Auto / Manual
Exposure Control	Auto / Manual / Shutter priority / Iris priority / Bright mode, Exposure Compensation	Auto / Manual / Priority mode (shutter priority & iris priority) / Bright / EV compensation / Slow AE	Auto / Manual
BLC	ON/OFF		
White Balance	AWB(3200to7500K), ATB(2000to10000K), Indoor(3200K), Outdoor(5800K);Manual	Auto, ATW, Indoor, Outdoor, Outdoor Auto, Sodium Vapor Lamp (fix/auto), One-push, Manual	Auto, Manual
Picture Effects	Sharpness, Image mirror, Image freeze	E-Flip, Nega Art, Black & White, Mirror image, Color Enhancement	Sharpness, E-flip
S/N Ratio	More than 50 dB		
Video Output	CVBS: 1.0Vp-p / 75Ω		
<b>Video &amp; Audio</b>			
Video Compression	H.264 / MJPEG		
Image Resolution	D1(704×576/704×480) / VGA(640×480) / CIF(352×288/352×240) / QVGA(320×240) / QCIF(176×144/176×128)		
Encoding Speed	Main Stream: 1~25/30fps at all resolution Extra Stream: 1~25/30fps at all resolution		
Audio Compression	PCM8/G711A/G711U		
Audio Mode	Off/Audio input/Audio output		
Bit Rate	32K~4Mbps		

## DH-SD6423/30/36/70/63E/65E/66E/23C-HN

Bidirectional Talk	Yes
<b>Dome Drive</b>	
Pan/Tilt Range	Horizontal: 0°~360°endless, Vertical: -15°~90° auto flip 180° to continue monitor
Manual Control Speed	Horizontal: 0.1°~160°/s, Vertical: 0.1°~120°/s
Preset Speed	Horizontal: 240°/s, Vertical: 200°/s
Preset	255
PTZ Mode	5 Auto Pattern, 8 Auto Tour, 5 auto scan
3D Positioning	Yes
Speed Setup	Human-oriented focal Length/ speed adaptation
Info Display	Time, Location, Dome title, Dome coordinates, Temperature, Alarm, and etc.
Power up Action	Auto restore to previous PTZ and lens status after power failure
Idle Motion	Activate preset/scan/tour/ patter if there is no command in the specified period.
Time Task	Auto activation of Preset/Scan/Tour/ Pattern by preset-time
Alarm	2/1 alarm input/output, triggering Preset/Tour/Pattern/Scan/Alarm output
Protocol	DH-SD, Pelco-P/D, Auto recognition of general protocols
<b>Network</b>	
Ethernet	RJ-45 (10/100Base-T)
Network Functions	IPv4/IPv6, HTTP, HTTPS, SSL, TCP/IP, UDP, UPnP, ICMP, IGMP, SNMP, RTSP, RTP, SMTP, NTP, DHCP, DNS, PPPOE, DDNS, FTP, IP Filter, QoS, Bonjour, ONVIF
Remote Operation	Monitor, PTZ control, Playback, System Setting, File download, Log Information, Maintenance & Upgrade
Max Remote Users	20 Users simultaneously
Processor	TI DaVinci Series DSP
Operating System	Embedded LINUX
Resource	Simultaneous remote monitoring, remote operation & local recording
Local Recording	SD/SDHC, Max 32GB

## DH-SD6423/30/36/70/63E/65E/66E/23C-HN

User Interface	WEB, CMS(DSS/ PSS), DMSS, NVR
<b>General</b>	
IR Lamp Control	Auto / Manual
Max IR Distance	60m
Power Supply	AC 24V/2.2A (±10%)
Power Consumption	16W(Indoor), 34W(Outdoor, heater on)
Working Temperature	-40°C ~ 60°C
Working Humidity	<90%
Protection Level	IP66, 4000V thunder, surge and wave protection
Dimension	Φ 185(mm) x 299(mm)
Weight	5.0kg
Accessories	DH-64FB
	Optional: DH-65FD, DH-65FD200, DH-65FW, DH-65FM, DH-65FQ

A

### Atik Consulting

20181 Cesano Maderno (MB)

Tel: +39-02-39198473

Fax: +39-02-45503999

Email: info@setik.it

www.setik.it

\*Design and specifications are subject to change without notice.

© 2012 Dahua Technology Co., Ltd.