

DH-PTZ1C200UE-GN-W

2MP Starlight IR PT Wi-Fi Network Camera



- 1/2.8" 2Megapixel STARVIS™ CMOS
- Starlight technology
- Max. 25/30fps@1080P
- WDR
- IVS
- H.265 Encoding
- Support Wi-Fi
- IR distance up to 20m
- IP66



System Overview

Accurate pan/tilt performance, the camera provides a wide monitoring range and great detail. The camera delivers 1080P resolution at 25/30fps. The camera is equipped with smooth control, high quality image, and good protection, meeting compact size demands of video surveillance applications.

Functions

Starlight Technology

For challenging low-light applications, Dahua's Starlight Ultra-low Light Technology offers best-in-class light sensitivity, capturing color details in low light down to 0.005 lux. The camera uses a set of optical features to balance light throughout the scene, resulting in clear images in dark environments.

Environmental

Dahua cameras operate in extreme temperature environments, rated for use in temperatures from -30°C to +60 °C (-22 °F to +140°F) with 95% humidity. Subjected to rigorous dust and water immersion tests and certified to the IP66 Ingress Protection rating makes it suitable for demanding outdoor applications.

Protection

The camera allows for 4KV lightning rating, which provides effective protection for both the camera and its structure against lightning.

Interoperability

The camera conforms to the ONVIF (Open Network Video Interface Forum) specifications, ensuring interoperability between network video products regardless of manufacturer.

Wide Dynamic Range

The camera achieves vivid images, even in the most intense contrast lighting conditions, using industry-leading wide dynamic range (WDR) technology. For applications with both bright and low lighting conditions that change quickly, True WDR (120 dB) optimizes both the bright and dark areas of a scene at the same time to provide usable video.

Smart H.265+

Smart H.265+ is the optimized implementation of the H.265 codec that uses a scene-adaptive encoding strategy, dynamic GOP, dynamic ROI, flexible multi-frame reference structure and intelligent noise reduction to deliver high-quality video without straining the network. Smart H.265+ technology reduces bit rate and storage requirements by up to 70% when compared to standard H.265 video compression.

Technical Specification

Camera

| | |
|--------------------------|--|
| Image Sensor | 1/2.8" STARVIS™ CMOS |
| Max. Resolution | 2MP |
| Effective Pixels | 1920 (H) × 1080 (V) |
| ROM | 128MB |
| RAM | 256MB |
| Electronic Shutter Speed | 1/3–1/30000s |
| Minimum Illumination | Color: 0.005Lux@F2.0 B/W: 0.0005Lux@F2.0 0 Lux (IR light on) |
| IR Distance | 20m (65.6ft) |
| IR On/Off Control | Manual/SmartIR |
| IR LED Number | 1 |

Lens

| | | | | |
|----------------------|-----------------------|----------------------|----------------------|---------------------|
| Focal Length | 3.6 mm | | | |
| Aperture | F2.0 | | | |
| Field of View | H: 84.22°; V: 45.8° | | | |
| Close Focus Distance | 0.9 m | | | |
| Iris Control | Fixed Iris | | | |
| DORI Distance | Detect | Observe | Recognize | Identify |
| | 55.2 m (181.10 ft) | 22.1 m (72.51 ft) | 11.0 m (36.09 ft) | 5.5 m (18.04 ft) |

PTZ

| | |
|----------------------|-----------------------------|
| Pan/Tilt Range | Pan: 0°–180°; Tilt: -5°–55° |
| Manual Control Speed | Pan: 6°/s; Tilt: 3°/s |

Intelligence

| | |
|-----------------------|---|
| IVS | Tripwire; Intrusion; Object Abandoned/Missing |
| Advanced Intelligence | Face Detection; Heat Map |

Video

| | |
|----------------------|--|
| Video Compression | H.265; H.264BaselineProfile; H.264MainProfile; H.264HighProfile; MJPEG; H.265 +; H.264+ |
| Streaming Capability | 3 Streams |
| Resolution | 1080P (1920 × 1080); 1.3M (1280 × 960); 720P (1280 × 720); D1 (704 × 576); CIF (352 × 288) |
| Video Frame Rate | Main Stream: 1080P/1.3M/720P(1–25/30fps) Sub Stream 1: D1/CIF(1–25/30fps) Sub Stream 2: 720P/D1/CIF(1–25/30fps) |
| Bit Rate Control | Variable Bit Rate/Constant Bit Rate |

| | |
|--------------------------------|---|
| Video Bit Rate | H.264: 216Kbps–8192Kbps H.265: 108Kbps–8192Kbps |
| Day/Night | ICR |
| BLC | Support |
| WDR | 120dB |
| HLC | Support |
| White Balance | Auto/Indoor/Outdoor/Tracking/Manual/Sodium lamp/ Natural/Street lamp |
| Gain Control | Auto/Manual |
| Noise Reduction | 2D/3D |
| Motion Detection | Support |
| Region of Interest (RoI) | Support |
| Electronic Image Stabilization | Support |
| Defog | Electronic Defog |
| Digital Zoom | 16x |

Audio

| | |
|-------------------|--|
| Audio Compression | G.711A; G.711Mu; G.726; AAC; MPEG2-Layer2; G.722.1; G.729 |
| Audio In | 1 |
| Audio Out | 1 |

Network

| | |
|---------------------|--|
| Ethernet Port | 1 RJ-45 Port 10/100Base-T |
| Wi-Fi | Support |
| Wi-Fi Standard | IEEE802.11b; 802.11g; 802.11n |
| Network Protocol | IPv4; IPv6; HTTP; HTTPS; 802.1x; Qos; FTP; SMTP; UPnP; SNMP; DNS; DDNS; NTP; SNMPv1/v2c/ v3(MIB-2); ARP; RTCP; RTSP; RTP; TCP; UDP; IGMP; ICMP; DHCP; PPPoE |
| Interoperability | ONVIF; CGI |
| Streaming Method | Unicast/Multicast |
| User/Host | 20 (Total bandwidth 48M) |
| Edge Storage | FTP; Micro SD card (256G); P2P |
| Browser | IE7 and newer versions Chrome 42 and older versions Firefox 52 and older versions Safari |
| Management Software | Smart player Configtool SMART PSS DMSS DSS |

Certifications

| | |
|----------------|--|
| Certifications | CE: EN55032/EN55024/EN50130-4 FCC: Part15 subpartB,ANSI C63.4- 2014 |
|----------------|--|

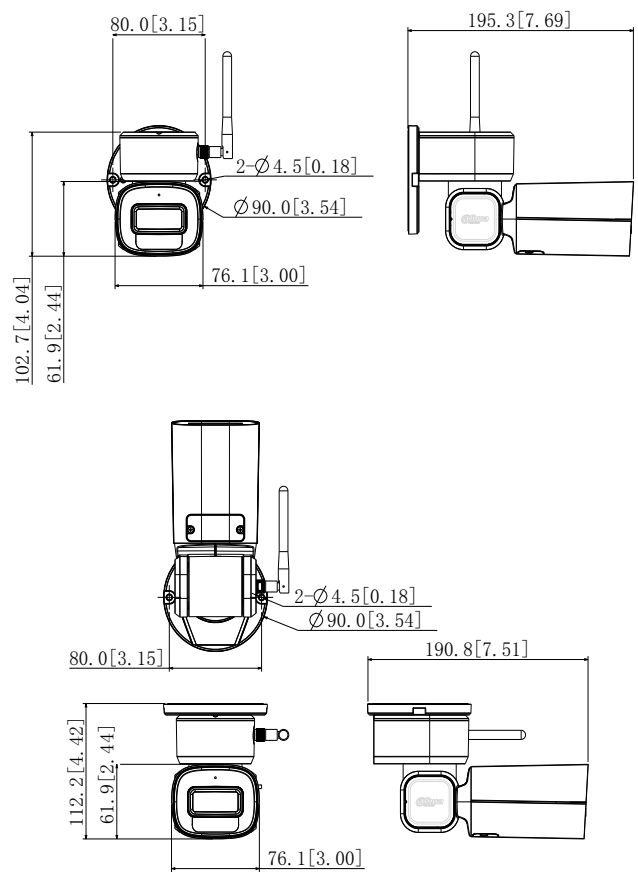
Electrical

| | |
|--------------|----------------|
| Power Supply | DC12V/1.5A±10% |
|--------------|----------------|

| | |
|----------------------|---|
| Power Consumption | 7W 11W (PTZ, IR light) |
| Environmental | |
| Operating Conditions | -30°C to +60°C (-22°F to 140°F) |
| Operating Humidity | ≤95% RH |
| Ingress Protection | IP66; TVS 4000V lightning protection; surge protection |
| Construction | |
| Housing Material | Aluminium alloy ADC12 |
| Dimensions | Wall mounted: 195.3 mm×90 mm×102.7 mm (7.69"×3.54"×4.04") Ceiling mounted: 190.8 mm×90 mm×112.2 mm (7.51"×3.54"×4.12") |
| Weight | Net Weight: 0.9 kg (1.98 lb); Gross Weight: 1.2 kg (2.65 lb) |

| Ordering Information | | |
|----------------------|---------------------|---|
| Type | Model | Description |
| 2MP PTZ Camera | DH-PTZ1C200UE-GN-W | 2MP Starlight IR PT Wi-Fi Network Camera, WDR, PAL |
| | DH-PTZ1C200UEN-GN-W | 2MP Starlight IR PT Wi-Fi Network Camera, WDR, NTSC |
| | PTZ1C200UE-GN-W | 2MP Starlight IR PT Wi-Fi Network Camera, WDR, PAL |
| | PTZ1C200UEN-GN-W | 2MP Starlight IR PT Wi-Fi Network Camera, WDR, NTSC |
| Accessories | PFA731 | Junction Box (wall-mount) |
| | DC12V/2A | Power Adapter |

Dimensions (mm/inch)



Accessories

Optional:



PFA731
Junction Box
(wall-mount)



DC12V/2A
Power Adapter

