

# DH-XVR8208A-4K-I

## 8 Channel Penta-brid 4K 1U Digital Video Recorder



AI series products adopt the most advanced AI technologies, including deep learning algorithms that primarily target people and vehicles, which provides higher flexibility and accuracy for end-users. This enables the Dahua AI series to offer various advanced applications such as Face Recognition, ANPR, Metadata, People Counting, traffic data statistics, etc.

The complete lineup of Dahua AI series includes network (PTZ) cameras, network video recorders, digital video recorders, servers, and platform management products. Beyond seeing the world, the power of AI allows devices to perceive the environment and understand the world in a better way.

### System Overview

Dahua new XVR8000-4KL/4K-I series XVR delivers excellent performance and high recording quality that is ideally applicable to a wide range of industries ranging from retail to banking and real estate. Holding Dahua Technology's patented HDCVI signature technology, these new AI XVR products are featured with long distance transmission, seamless upgrading, and IoT into analog monitoring—all while maintaining perfect 4K resolution over coax.

With build-in deep learning module, XVR8000-4KL/4K-I series products adopt video image structuring technology based on deep learning algorithms, achieving high-precision human face recognition and perimeter protection. By applying deep learning artificial intelligence, XVR8000-4KL/4K-I allows users to focus on what matters most, improves event response time and helps make video actionable.

With its extensive portfolio of front-end and back-end products with HDCVI technology, Dahua solutions can be easily integrated into self-contained systems to satisfy the needs of both system integrators and users.

### Functions

#### Perimeter Protection

Automatically filtering out false alarms caused by animals, rustling leaves, bright lights, etc. Enables system to act secondary recognition for the targets. Improving alarm accuracy.

- H.265+/H.265 dual-stream video compression
- Supports HDCVI/AHD/TVI/CVBS/IP video inputs
- Supports 64 channels of IPC access, each channel up to 12MP input; Max 256Mbps incoming bandwidth
- HDMI1 4K@60fps output
- Up to 8 channel perimeter protection
- Up to 4 channel video stream face recognition
- Up to 24 face pictures /sec processing
- Up to 20 face databases with 100,000 face images in total



#### Real Time Face Recognition

Video stream real time face recognition. Facial attributes analysis features including gender, age, expression, glasses, moustache, mouth mask. Identify people and also capture, record faces with metadata. Facial feature filtering while real time display, only show faces with target features.

#### Face Database Management

Configurable multiple face databases. Powerful face database management. Face database can be applied to video channels independently. Name, gender, birthday, nationality, address, ID information can be added to each face picture.

#### Common/Stranger Mode

Supports regular and stranger mode. In stranger mode, when XVR detects a strange face(not in device's face database), it can trigger alarm, buzzer, snapshot, record, etc. Similarity threshold can be set manually. This function is developed for important infrastructure sites for which access control is critical.

#### Smart Search

Supports search by metadata of human face. Support uploading face pictures to XVR and compare them with recorded faces in XVR by similarity. Enable operators to quickly and easily search through multi channels and long duration, efficiently find out when and where a person of interest appeared.

Technical Specification	
<b>System</b>	
Main Processor	Embedded Processor
Operating System	Embedded LINUX
<b>Perimeter Protection</b>	
Performance	8 channel, 10 IVS rules for each channel
Object classification	Human/Vehicle secondary recognition for tripwire and intrusion
AI Search	Search by target classification (Human, Vehicle)
<b>Face Recognition</b>	
Performance	Max 24 face pictures /sec processing (modeling and comparing) 4 channel video stream face recognition
Stranger Mode	Detect strangers' faces(not in device's face database).Similarity threshold can be set manually.
AI Search	Up to 8 target face images search at same time, similarity threshold can be set for each target face image.
Database Management	Up to 20 face databases with 100,000 face images in total. Name, gender, birthday, nationality, address, ID information can be added to each face picture.
Database Application	Each database can be applied to video channels independently.
Trigger Events	Buzzer, Voice Prompts, Email, Snapshot, Recording, Alarm Out, PTZ Activation, etc.
<b>Metadata</b>	
Face	Gender, age, glasses, beard, mask.
AI Search	Support search target video by metadata.
<b>Video and Audio</b>	
Analog Camera Input	8 Channel, BNC
HDCVI Camera	4K, 6MP, 5MP, 4MP, 1080P@25/30fps, 720P@50/60fps, 720P@25/30fps
AHD Camera	5MP, 4MP, 3MP, 1080P@25/30, 720P@25/30fps
TVI Camera	5MP, 4MP, 3MP, 1080P@25/30, 720P@25/30fps
CVBS Camera	PAL/NTSC
IP Camera Input	64 Channel, each channel up to 12MP
Audio In/Out	4/1, RCA
Two-way Talk	Mic in & reuse Audio out for Mic out, RCA
<b>Recording</b>	
Compression	H.265+/H.265/H.264+/H.264
Resolution	4K, 6MP, 5MP, 4MP, 3MP, 1080P, 720P, 960H, D1, CIF
Record Rate	Main stream: 4K(1~15fps); 6MP/5MP(1~20fps); 4MP/3MP/1080P/720P/960H/D1/CIF (1~25/30fps) Sub stream:960H(1~15fps); D1/CIF(1~25/30fps)
Bit Rate	32Kbps ~ 8192Kbps Per Channel
Record Mode	Manual, Schedule (General, Continuous), MD (Video detection: Motion Detection, Video Loss, Tampering), Alarm, Stop
Record Interval	1 ~ 60 min (default: 60 min), Pre-record: 1 ~ 30 sec, Post-record: 10 ~ 300 sec

Display	
Interface	2 HDMI, 1 VGA
Resolution	HDMI 1:3840×2160, 2560×1440, 1920×1080, 1280×1024, 1280×720 HDMI2/VGA: 1920×1080, 1280×1024, 1280×720
Multi-screen Display	When IP extension mode not enabled: 1/4/8/9 When IP extension mode enabled: 1/4/8/9/16/25/36
OSD	Camera title, Time, Video loss, Camera lock, Motion detection, Recording

Network	
Interface	2 RJ-45 Ports (1000M)
Network Function	HTTP, HTTPS, TCP/IP, IPv4/IPv6, Wi-Fi, 3G/4G, SNMP, UPnP, RTSP, UDP, SMTP, NTP, DHCP, DNS, IP Filter, PPPoE, DDNS, FTP, Alarm Server, P2P, IP Search (Supports Dahua IP camera, DVR, NVS, etc.)
Max. User Access	128 users
Smart Phone	iPhone, iPad, Android
Interoperability	ONVIF 16.12, CGI Conformant

Video Detection and Alarm	
Trigger Events	Recording, PTZ, Tour, Video Push, Email, FTP, Snapshot, Buzzer and Screen Tips
Video Detection	Motion Detection, MD Zones: 396 (22 × 18), Video Loss, Tampering and Diagnosis
Alarm input	16
Relay Output	3

Playback and Backup	
Playback	1/4/9/16
Search Mode	Time /Date, Alarm, MD and Exact Search (accurate to second)
Playback Function	Play, Pause, Stop, Rewind, Fast play, Slow Play, Next File, Previous File, Next Camera, Previous Camera, Full Screen, Repeat, Shuffle, Backup Selection, Digital Zoom
Backup Mode	USB Device/Network

Storage	
Internal HDD	2 SATA Ports, up to 10TB capacity for each disk
eSATA	N/A

Auxiliary Interface	
USB	3 USB Ports (1 USB 2.0 , 2 USB 3.0)
RS232	1 port, For PC communication & Keyboard
RS485	1 Port, for PTZ Control

Electrical	
Power Supply	DC12V/5A
Power Consumption	<20W (Without HDD)

Construction

Dimensions	1U, 375mm×328mm×50mm (14.8" x 12.9" x 2.0")
Net Weight	2.35kg (5.2lb) (without HDD)
Gross Weight	3.2kg (7.05lb)
Installation	Desktop installation

Environmental

Operating Conditions	-10°C ~ +55°C (+14°F ~ +131°F), 0~ 90% RH
Storage Conditions	-20°C ~ +70°C (-4°F ~ +158°F), 0~ 90% RH

Third-party Support

Third-party Support	Dahua, Arecont Vision, AXIS, Bosch, Brickcom, Canon, CP Plus, Dynacolor, Honeywell, Panasonic, Pelco, Samsung, Sanyo, Sony, Videotec, Vivotek, and more
---------------------	---

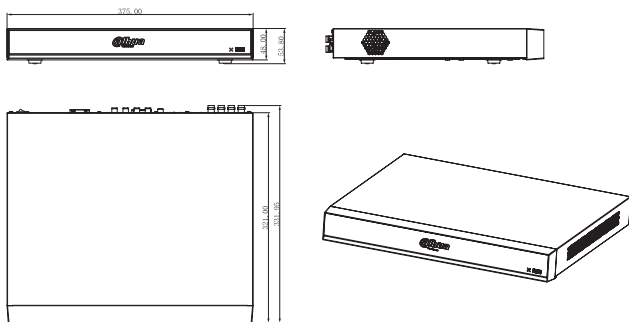
Certifications

Certifications	FCC: Part 15 Subpart B
	CE: CE-LVD: EN 60950-1/IEC 60950-1 CE-EMC: EN 61000-3-2, EN 61000-3-3, EN 55032, EN 50130, EN 55024
	UL: UL 60950-1

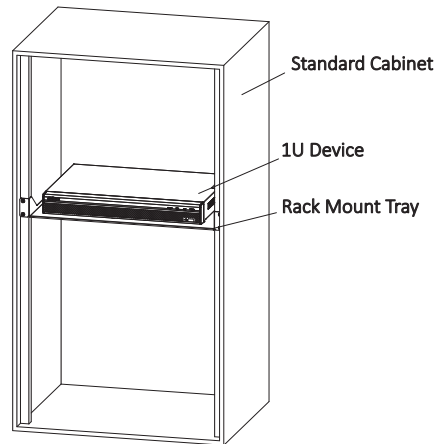
Ordering Information

Type	Part Number	Description
8 Channel XVR	DH-XVR8208A-4K-I	8 Channel Penta-brid 4K 1U Digital Video Recorder

Dimensions (mm)

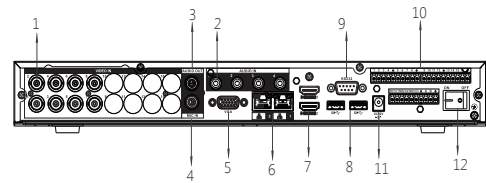


Installation on Rack Mount Tray



Rear Panel

DH-XVR8208A-4K-I



- |                            |                         |
|----------------------------|-------------------------|
| 1 VIDEO IN                 | 7 HDMI Interface        |
| 2 AUDIO IN, RCA Connector  | 8 USB Interface         |
| 3 AUDIO OUT, RCA Connector | 9 RS232 Interface       |
| 4 MIC IN Interface         | 10 ALARM IN/OUT; RS485; |
| 5 VGA Interface            | 11 Power Input          |
| 6 Network Interface        | 12 Power Switch         |