

## Villa Outdoor Station



### Features

- Being equipped with advanced built-in system and software, suit for villa
- Camera: 1.3 MP CMOS camera
- Night vision: the particular white light in the camera able to make the clear picture at night
- One button with background light ,easy to operate
- Call indoor monitor and management centre
- Support IC card opening
- Support unlock remotely
- Support visitor leaving audio and video message
- Support group call function

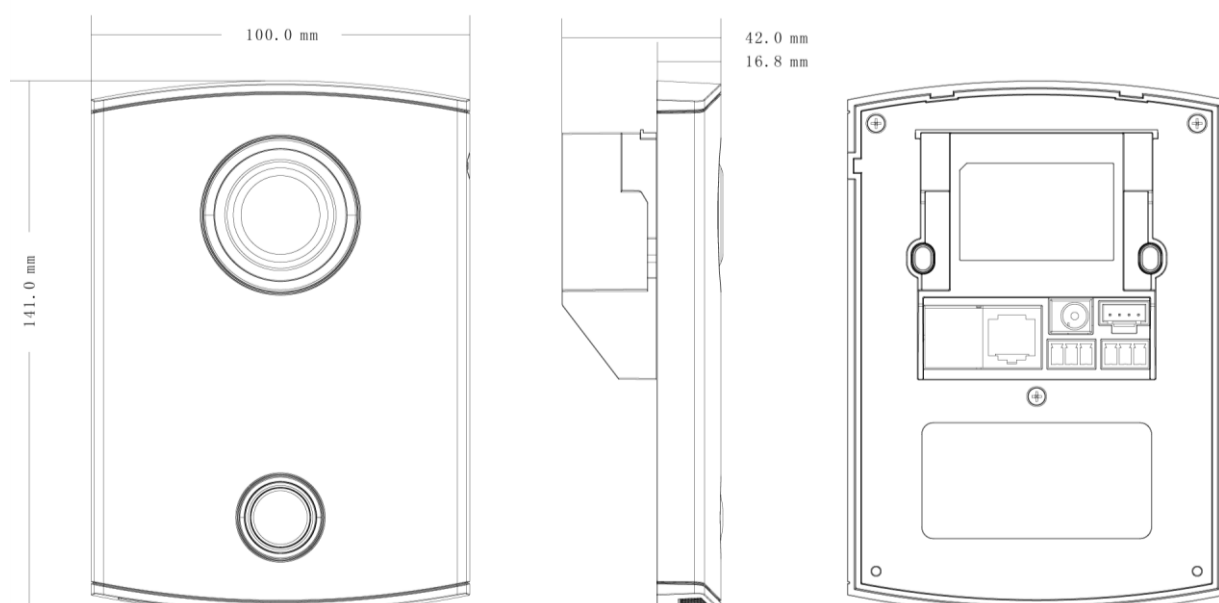
### Specifications

Mode		DH-VTO6100C
System	Main Processor	Embedded micro processor
	Operation System	Embedded LINUX OS
Video	Video Compression Standard	H.264

## DH-VTO6100C

	<b>Input/Approaching Induction</b>	1.3MP CMOS HD camera
	<b>Black Light</b>	Support
<b>Audio</b>	<b>Audio Input</b>	Omnidirection Microphone
	<b>Audio Output</b>	Built-in loudspeaker
	<b>Bidirectional Talk</b>	Support bidirectional talk
<b>Operation Mode</b>	<b>Input</b>	One-key input (with blacking)
	<b>Card</b>	Built-in IC card induction reader
<b>Alarm and Access Control</b>	<b>Vandal proof</b>	Support
<b>Network</b>	<b>Ethernet</b>	10M/100Mbps Self-adaptive
	<b>Network Protocol</b>	TCP/IP
<b>Storage</b>	<b>Memory</b>	128MB
<b>General</b>	<b>Power</b>	DC 10~15V
	<b>Power Consumption</b>	Standby $\leq 1W$ , work $\leq 10W$
	<b>Working Environments</b>	-10°C – +60°C, 10~95% RH
	<b>Dimensions</b>	141.0mm*100.0mm*16.8mm (L*W*T) ;
	<b>Weight</b>	0.5Kg

## Dimensions



**Dahua Technology Co., Ltd.**

1187BinAn Road, Binjiang District, Hangzhou, China

Tel: +86-571-87688883

Fax: +86-571-87688815

Email: [overseas@dahuatech.com](mailto:overseas@dahuatech.com)

[www.dahuatech.com](http://www.dahuatech.com)

\*Design and specifications are subject to change without notice.