

# DHI-VTO4202F-P-S2

## 2Mp Modular Apartment Door Station



- Anodized aluminum front panel
- CMOS low illumination 2MP HD colorful 160° fisheye camera
- Video intercom function
- Access control function that supports two locks
- Mobile phone app, talk to the visitor or unlock the door remotely on your phone
- Compatibility 2-wire Interface & RJ45 Interface
- IK07&IP65
- Support H.265
- Support surface and flush mount
- Modules make the device with great expansibility



### Technical Specification

#### System

|                  |  |
|------------------|--|
| Main Processor   | Embedded processor   |
| Operating System | Embedded Linux Operation System                            |
| Button Type      | Mechanical   |
| Interoperability | ONVIF; CGI   |
| Network Protocol | SIP; P2P; IPv4; UPnP; SNMP; DNS; DDNS; RTSP; RTP; TCP; UDP |

#### Basic

|                    |  |
|--------------------|--|
| Camera             | 1/2.5" 2MP CMOS Low Illumination HD Colorful Fisheye Camera  |
| Field of View      | Horizontal: 168.6°; vertical: 87.1; diagonal: 176.7°   |
| Focal Length       | 1.9 mm   |
| WDR                | 120 dB   |
| Noise Reduction    | 3D DNR   |
| Video Compression  | H.265  |
| Video Resolution   | 50Hz:<br>Main Stream (720P@25 fps), sub stream (1080P@25 fps)<br>60Hz:<br>Main Stream (720P@30 fps), sub stream (1080P@30 fps) |
| Video Frame Rate   | 25 fps   |
| Video Bit Rate     | 256 Kbps to 4 Mbps   |
| Light Compensation | Auto IR  |

|                        |  |
|------------------------|--|
| Day/Night              | Auto (ICR)                               |
| Audio Compression      | G.711a; G.711u; PCM                      |
| Audio Input            | 1 channel                                |
| Audio Output           | Built-in speaker                         |
| Audio Mode             | 2-way voice communication                |
| Audio Enhancement      | Echo suppression/digital noise reduction |
| Audio Bit Rate         | 16 KHz, 16 Bit                           |
| Status Indicator Light | 3  |

#### Port

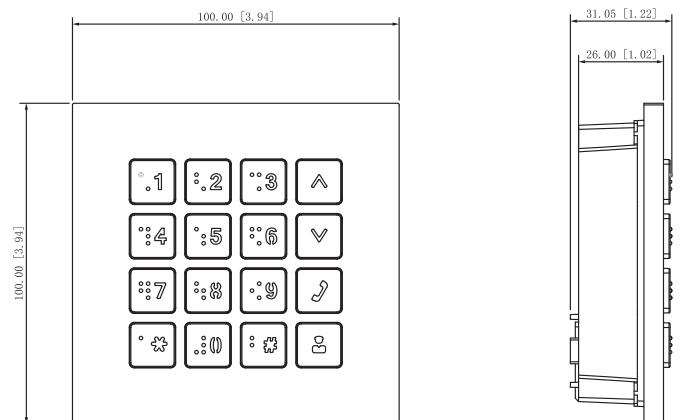
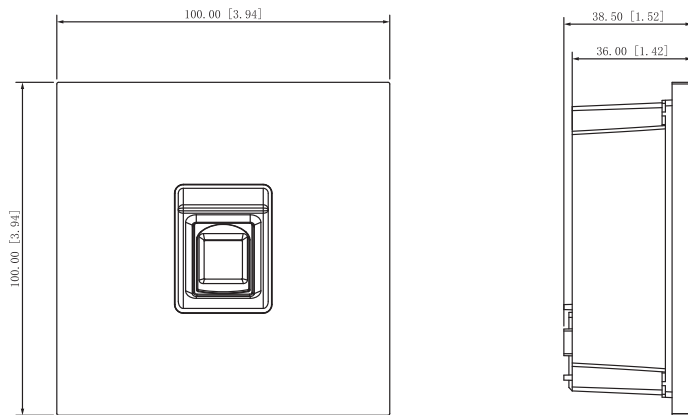
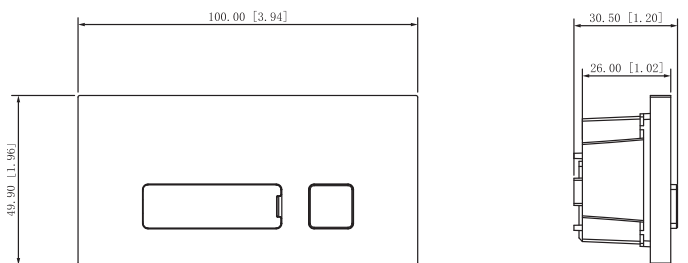
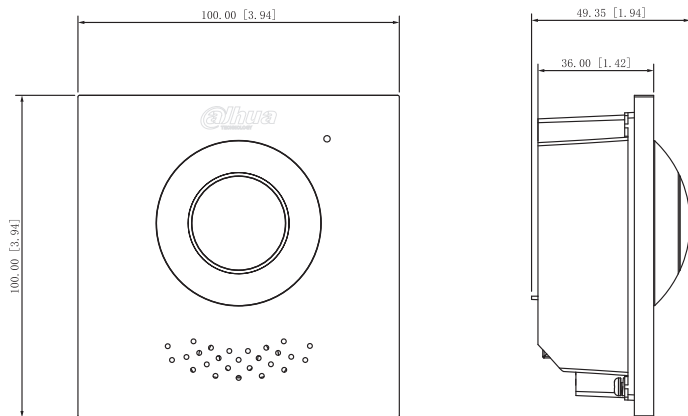
|                       |                                |
|-----------------------|--------------------------------|
| RS-485 Port           | 1                              |
| Alarm Output          | 1                              |
| Power Output          | 1-ch 12 VDC 100mA              |
| Exit Button           | 1                              |
| Door Status Detection | 1                              |
| Lock Control          | 1                              |
| Network Port          | One RJ45 10M/100M network port |

#### General

|                  |  |
|------------------|--|
| Appearance color | Silver   |
| Power Supply     | Dahua 2-wire switch (max. power supply distance 50 m)<br>DC 48V 1A<br>Standard PoE |

|                       |   |
|-----------------------|---|
| Power Adapter         | Optional  |
| Installation          | Flush/surface mount                             |
| Certifications        | CE; FCC; UL                                     |
| Accessory             | Flush/surface mount                             |
| Product Dimensions    | 100 mm × 100 mm × 36 mm (3.94" × 3.94" × 1.41") |
| Protection            | IK07; IP65                                      |
| Operating Temperature | -30°C to +60°C (-22°F to 140°F)                 |
| Operating Humidity    | 10%–90% (RH, non-condensing)                    |
| Operating Altitude    | 0 m–3000 m                                      |
| Power Consumption     | ≤ 12W   |
| Net Weight            | 0.35 kg (0.77 lb)                               |
| Gross Weight          | 0.4 kg (0.88 lb)                                |

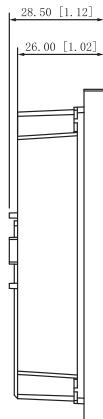
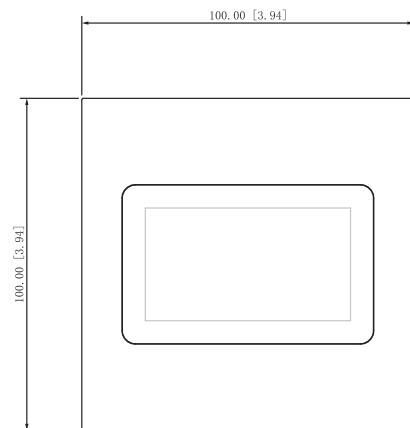
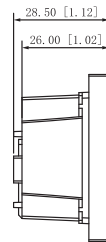
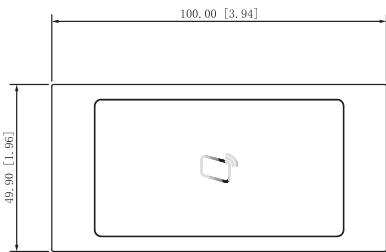
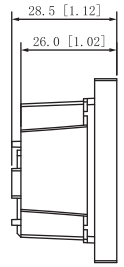
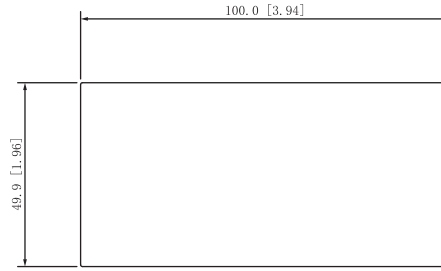
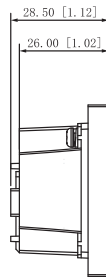
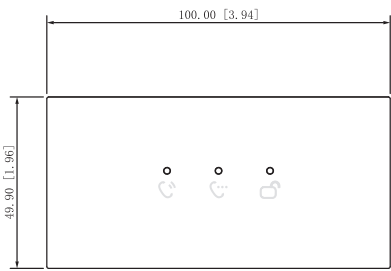
**Dimensions (mm[inch])**



**Ordering Information**

| Type        | Model             | Description   |
|-------------|-------------------|---|
| Modules     | DHI-VTO4202F-P-S2 | Camera module   |
|             | DHI-VTO4202F-MB1  | One-button module   |
|             | DHI-VTO4202F-MB2  | Two-button module   |
|             | DHI-VTO4202F-MB5  | Five-button module  |
|             | DHI-VTO4202F-MS   | Display module  |
|             | DHI-VTO4202F-ML   | Indicator module  |
|             | DHI-VTO4202F-MK   | Keyboard module   |
|             | DHI-VTO4202F-MF   | Fingerprint module  |
|             | DHI-VTO4202F-MR   | Card swiping module                                       |
|             | DHI-VTO4202F-MN   | Blank Module  |
| Accessories | VTM125            | Two-modular mounting plate                                |
|             | VTM126            | Three-modular mounting plate                              |
|             | VTM127            | Two-modular mounting box                                  |
|             | VTM128            | Three-modular mounting box                                |
| Rain Cover  | VTM52R2           | Surface-mounted rain cover for one 2-module VTO4202F      |
|             | VTM53R3           | Surface-mounted rain cover for one 3-module VTO4202F      |
|             | VTM54R4           | Surface-mounted rain cover for multiple 2-module VTO4202F |
|             | VTM56R6           | Surface-mounted rain cover for multiple 3-module VTO4202F |

**Dimensions (mm[inch])**



**Application**

