

VTM05R

VTM05R Rain Cover



- Surface-mounted rain cover for VTO2202F

Technical Specification

Performance

Casing Aluminum alloy

General

Color Silver

Installation Surface mount

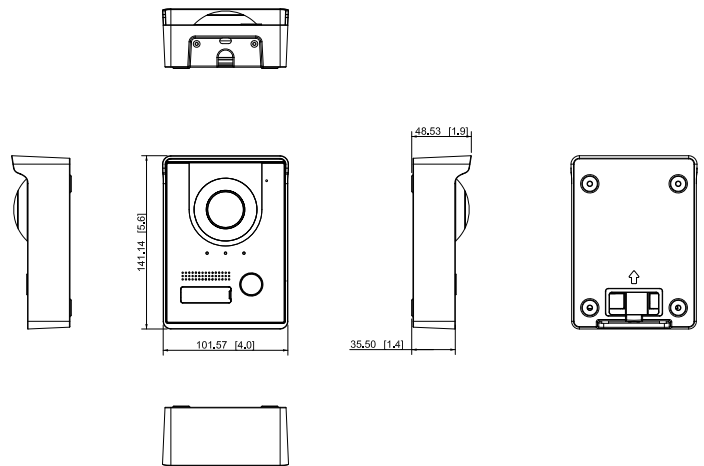
Dimensions 141.1 mm × 101.6 mm × 48.5 mm
(5.56" × 4" × 1.91")

Protection Grade IP65 (silicone sealant is needed)

Net Weight 309 g

Gross Weight 501 g

Dimensions (mm[inch])



Ordering Information

Type	Model	Description
VTO Rain Cover	VTM05R	Surface-mounted Rain Cover for VTO2202F

Installation

