

DH-TP2600

HDCVI 1/3 channel In/Out Distributor



Features

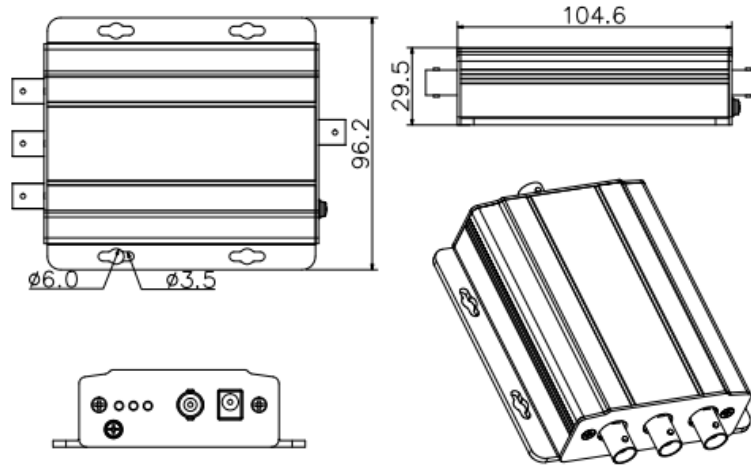
- Support 1/3 channel In/Out
- Lossless non-compression transmission
- Support video format as 25/30/50/60fps@720P & 25/30fps@1080P
- UPnP, easy installation
- LED indicators
- Wide-range temperature application: -40°C ~75°C

Specifications

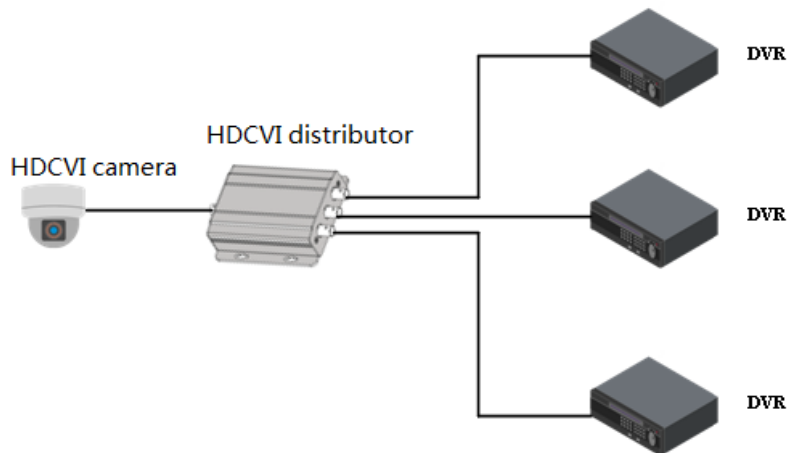
Model	DH-TP2600
Physical Port	
BNC Port	4*BNC ports (1/3 channel In/Out)
Other	
Indicator	Video indicator, power indicator, data indicator
Power	DC12V 1A
Power Consumption	≤5W
Temperature	-40°C ~75°C
Humidity	10%~90% RH
Unit Weight	200g
Dimension	104.6mm×96.2mm×29.5mm
Installation	Wall mount

DH-TP2600

Dimensions (mm)



Application



Dahua Technology Co., Ltd.

1199 BinAn Road, Binjiang District, Hangzhou, China

Tel: +86-571-87688883

Fax: +86-571-87688815

Email: overseas@dahuatech.com

www.dahuasecurity.com

*Design and specifications are subject to change without notice.

© 2014 Dahua Technology Co., Ltd.