

DH-SD5A225XA-HNR-SL

2MP 25x Starlight IR WizSense Network PTZ Camera



Wiz Sense

Launched by Dahua Technology, WizSense is a series of AI products and solutions that adopt independent AI chip and deep learning algorithm. It focuses on human and vehicle with high accuracy, enabling users to fast act on defined targets. Based on Dahua's advanced technologies, WizSense provides intelligent, simple and inclusive products and solutions.

System Overview

Dahua PTZ AI network camera adopts advanced CNN deep learning algorithms to support smart capture and perimeter protection with high accuracy. Together with infrared illumination and Starlight technology, the camera is the perfect solution for dark, lowlight applications. The series combines a day/night mechanical IR cut filter for the highest image quality in variable lighting conditions during the day, and True WDR for applications with direct sunlight or glare.

Functions

Perimeter Protection

Automatically filtering out false alarms caused by animals, rustling leaves, bright lights, etc. Enables system to act secondary recognition for the targets. Improving alarm accuracy.

Starlight Technology

For challenging low-light applications, Dahua's Starlight Ultra-low Light Technology offers best-in-class light sensitivity, capturing color details in low light down to 0.005 lux. The camera uses a set of optical features to balance light throughout the scene, resulting in clear images in dark environments.

PFA Technology

PFA technology has innovatively introduced new methods of judgment to ensure the accuracy and predictability of the direction of subject distance adjustment. The result is a set of advanced focusing algorithms. PFA ensures clarity of the image throughout the process of zooming and shortens focus time. The realization of PFA technology substantially improves user experience and increases product value.

- 1/2.8" 2Megapixel STARVIS™ CMOS
- Powerful 25x optical zoom
- Starlight Technology
- Max. 50/60fps@1080P
- IR distance up to 150 m
- SMD PLUS
- Deep-learning-based perimeter protection
- Auto-tracking and IVS
- PoE+
- IP67, IK10
- Anti corrosion coating



Environmental

Dahua cameras operate in extreme temperature environments, rated for use in temperatures from -40 °C to +70 °C (-40 °F to +158 °F) with 95% humidity. Subjected to rigorous dust and water immersion tests and certified to the IP67 Ingress Protection rating makes it suitable for demanding outdoor applications.

Wide Dynamic Range

The camera achieves vivid images, even in the most intense contrast lighting conditions, using industry-leading wide dynamic range (WDR) technology. For applications with both bright and low lighting conditions that change quickly, True WDR (120 dB) optimizes both the bright and dark areas of a scene at the same time to provide usable video.

Auto-tracking

This feature controls the pan/tilt/zoom actions of the camera to automatically track an object in motion and to keep it in the scene. The tracking action can be triggered manually or automatically by defined rules. Once a rule is triggered, the camera can zoom in and track the defined target automatically.

Smart H.265+

Smart H.265+ is the optimized implementation of the H.265 codec that uses a scene-adaptive encoding strategy, dynamic GOP, dynamic ROI, flexible multi-frame reference structure and intelligent noise reduction to deliver high-quality video without straining the network. Smart H.265+ technology reduces bit rate and storage requirements by up to 70% when compared to standard H.265 video compression.

SMD PLUS

With Deep-Learning Algorithm, Dahua SMD PLUS filters the motion detection alarm triggered by non-concerned target and recognizes human and vehicle effectively, sending alarms when human and vehicle intrude.

Technical Specification

Camera

Image Sensor	1/2.8" CMOS
Max. Resolution	1920 (H) × 1080 (V)
Pixel	2MP
ROM	4GB
RAM	1GB
Electronic Shutter Speed	1/3–1/30000 s
Scanning System	Progressive
Min. Illumination	Color: 0.005Lux@F1.6 B/W: 0.0005Lux@F1.6 0Lux (IR light on)
Illumination Distance	150 m (492.13 ft)
Illuminator On/Off Control	Zoom Prio/Manual/SmartIR/Off
Illuminator Number	4

Lens

Focal Length	5.4 mm–135 mm			
Max. Aperture	F1.6-F3.5			
Field of View	H: 58.7°–3.1°; V: 33.2°–1.7°; D: 67.3°–3.9°			
Optical Zoom	25x			
Focus Control	Auto/Semi-Auto/Manual			
Close Focus Distance	0.1 m–1.5 m (0.32 ft–4.92 ft)			
Iris Control	Auto/Manual			
DORI Distance	Detect	Observe	Recognize	Identify
	1655 m (5429.79 ft)	657 m (2155.51 ft)	331 m (1085.96 ft)	166 m (544.62 ft)

PTZ

Pan/Tilt Range	Pan: 0°–360°; Tilt: -15°–+90°
Manual Control Speed	Pan: 0.1°/s–300°/s; Tilt: 0.1°/s–200°/s
Preset Speed	Pan: 400°/s; Tilt: 300°/s
Presets	300
Tour	8 (up to 32 preset per tour)
Pattern	5
Scan	5
Speed Adjustment	Support
Power-off Memory	Support
Idle Motion	Preset/Tour/Pattern/Scanning
Protocol	DH-SD Pelco-P/D(Auto recognition)

General Intelligence

Event Trigger	Motion detection, video tampering, scene changing, Network disconnection, IP address conflict, illegal access, and storage anomaly.
IVS	Object Abandoned/Missing

Artificial Intelligence

Smart Capture	Support human, motor vehicle and non-motor vehicle image capture.
Perimeter Protection	Tripwire and intrusion. Support alarm triggering by target types (human and vehicle). Support filtering false alarms caused by animals, rustling leaves, bright lights, etc.
SMD PLUS	Support
Auto Tracking	Support
Face Detection	Support

Video

Compression	H.265/H.265+/H.264+/H.264/MJPEG (Sub Stream)
Streaming Capability	3 streams
Resolution	1080P (1920 × 1080); 1.3 M (1280 × 960); 720P (1280 × 720); D1 (704 × 576/704 × 480); CIF (352 × 288/352 × 240)
Frame Rate	Main stream: 1080P/1.3 M/720P (1–50/60 fps) Sub stream 1: D1/CIF (1–25/30 fps) Sub stream 2: 1080P/1.3M/720P/D1/CIF (1–25/30 fps)
Bit Rate Control	Variable/Constant
Bit Rate	H.265/H.264: 3 kbps–20480 kbps
Day/Night	Auto(ICR)/Color/B/W
BLC	Support
WDR	120dB
HLC	Support
White Balance	Auto/Indoor/Outdoor/Tracking/Manual/Sodium lamp/Natural/Street lamp
Gain Control	Auto/Manual
Noise Reduction	2D/3D
Motion Detection	Support
Region of Interest (RoI)	Support
Image Stabilization	Electronic
Defog	Support
Digital Zoom	16x
Flip	180°
Privacy Masking	Up to 24 areas, and up to 8 areas in the same view

Audio

Compression	G.711A;G.711Mu;G.726;AAC;MPEG2-Layer2;G.722.1;G.729;G.723
-------------	---

Network

Ethernet	1 RJ-45 Port 10/100Base-T
Protocol	IPv4; IPv6; HTTP; HTTPS; 802.1x; Qos; FTP; SMTP; UPnP; SNMPv1/v2c/v3(MIB-2); DNS; DDNS; NTP; RTSP; RTP; TCP; UDP; IGMP; ICMP; DHCP; PPPoE; ARP; RTCP
Interoperability	ONVIF Profile S&G&T; CGI
Streaming Method	Unicast/Multicast
User/Host	20 (Total bandwidth 64M)

Storage	FTP; Micro SD card (256G); NAS
Browser	IE7 and newer versions Chrome 42 and older versions Firefox 52 and older versions Safari
Management Software	Smart Player / Smart PSS / DSS / Easy4ip
Mobile Phone	IOS/Android

Certification

Certifications	CE: EN55032/EN55024/EN50130-4 FCC: Part15 subpartB,ANSI C63.4- 2014 UL: UL60950-1+CAN/CSA C22.2.No.60950-1 IEC: 60950-22 IEC: 62236-4 IEC: 60068-2-6
----------------	---

Port

Audio Input	1 (LINE IN; bare wire)
Audio Output	1 (LINE OUT; bare wire)
Alarm I/O	2/1

Power

Power Supply	DC24V/2.5A POE+
Power Consumption	8W 20W (IR light on)

Environment

Operating Temperature	-40°C to +70°C (-40°F to +158°F)
Operating Humidity	≤95%RH
Protection	IP67; IK10; TVS 6000V lightning protection; surge protection

Structure

Casing	Metal
Dimensions	Φ190 mm×332 mm (7.48"×13.07")
Net Weight	4.7 kg (10.36 lb)
Gross Weight	8 kg (17.64 lb)

Ordering Information

Type	Model	Description
2MP WizSense PTZ Camera	DH-SD5A225XA-HNR-SL	2MP 25x Starlight IR WizSense Network PTZ Camera, PAL
	DH-SD5A225XAN-HNR-SL	2MP 25x Starlight IR WizSense Network PTZ Camera, NTSC
	SD5A225XA-HNR-SL	2MP 25x Starlight IR WizSense Network PTZ Camera, PAL
	SD5A225XAN-HNR-SL	2MP 25x Starlight IR WizSense Network PTZ Camera, NTSC
Accessories	PFB305WA	Anti-corrosion Wall Mount Bracket
	DC24V/2.5A	Power Adapter
	PFA111A	Anti-corrosion Mount Bracket
	PFA140A	Anti-corrosion Power Box
	PFB300C	Ceiling Mount Bracket
	PFA120A	Anti-corrosion Junction Box
	PFA150	Pole Mount Bracket
	PFA151	Corner Mount Bracket
	PFB303S	Parapet Mount Bracket

Accessories

Included:



PFB305WA
Anti-corrosion Wall
Mount Bracket



DC24V /2.5A
Power Adapter

Optional:



PFA111A
Anti-corrosion Wall
Mount Bracket



PFA140A
Anti-corrosion Power
Box



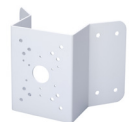
PFB300C
Ceiling Mount Bracket



PFA120A
Anti-corrosion Junc-
tion Box



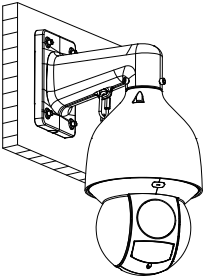
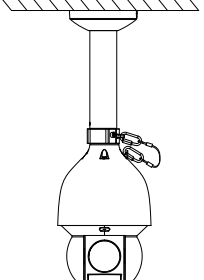
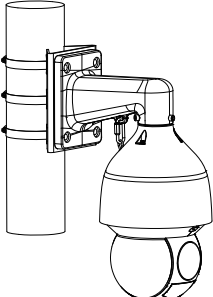
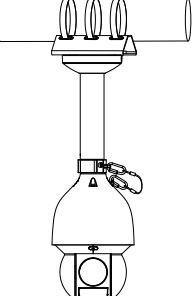
PFA150
Pole Mount Bracket



PFA151
Corner Mount
Bracket



PFB303S
Parapet Mount
Bracket

Wall Mount PFB305W 	Ceiling Mount PFA111+PFB300C 
Pole Mount(Vertical) PFA150+PFB305W 	Pole Mount(Horizontal) PFA150+PFA111+PFB300C 

Dimensions (mm[inch])

