

DH-SD29204T-GN(-W)

2Megapixel Full HD Network Mini IR PTZ Dome Camera



Features

- 4x optical zoom
- Support IVS
- H.264 & MJPEG dual-streams encoding
- Max. 25/30fps@1080P(1920×1080) & 50/60fps@720P resolution
- WDR, Day/Night(ICR), Ultra DNR, Auto iris, Auto focus
- Multiple network monitoring: Web viewer, CMS(DSS/PSS) & DMSS
- Max 100°/s pan speed
- Up to 300 presets, 5 auto scan, 8 tour, 5 pattern
- Support intelligent 3D positioning with DH-SD protocol
- Micro SD memory, Built-in Mic, POE/ Wifi optional
- IR Distance up to 30m

DH-SD29204T-GN(-W)

Technical Specifications

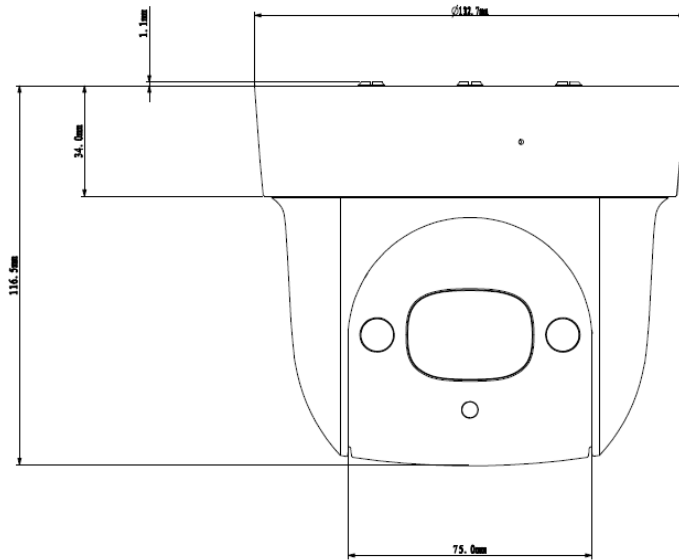
Model	DH-SD29204T-GN	DH-SD29204T-GN-W
Camera		
Image Sensor	1/2.7" CMOS	
Effective Pixels	1920(H) x 1080(V), 2Megapixels	
Scanning System	Progressive	
Electronic Shutter Speed	1/1 ~ 1/30,000s	
Min. Illumination	Color: 0.05Lux@F1.6; B/W: 0.005Lux@F1.6	
S/N Ratio	More than 50dB	
Camera Features		
Day/Night	Auto(ICR) / Color / B/W	
Backlight Compensation	BLC / HLC / WDR	
White Balance	Auto, ATW, Indoor, Outdoor, Manual	
Gain Control	Auto / Manual	
Noise Reduction	Ultra DNR (2D/3D)	
Privacy Masking	Up to 24 areas	
Digital Zoom	16x	
Lens		
Focal Length	2.7mm~11mm(4x Optical zoom)	
Max Aperture	F1.6~ F2.8	
Focus Control	Auto / Manual	
FOV-H	H: 112.5° ~ 39°	
PTZ		
Pan/Tilt Range	Pan: 0° ~ 360° limited; Tilt: 0° ~ 90°, auto flip 180°	
Manual Control Speed	Pan: 0.1° ~100° /s; Tilt: 0.1° ~60° /s	
Preset Speed	Pan: 100° /s; Tilt: 60° /s	
Preset	300	
PTZ Mode	5 Pattern, 8 Tour, Auto Pan, Auto Scan	
Speed Setup	Human-oriented focal length/ speed adaptation	
Power up Action	Auto restore to previous PTZ and lens status after power failure	
Idle Motion	Activate Preset/ Pan/ Scan/ Tour/ Pattern if there is no command in the specified period	
IR Distance	30m	
Video		
Compression	H.264 / MJPEG	
Resolution	1080P(1920×1080)/ 720P(1280×720) / D1(704×576/ 704×480) /CIF (352×288/352×240)	
Frame Rate	Main Stream	1080P(1 ~ 25/30fps)/ 720P (1 ~ 50/60fps)
	Sub Stream	D1/CIF(1 ~ 25/30fps)
Bit Rate	H.264: 448K ~ 8192Kbps, MJPEG: 5120K ~ 10240Kbps	
Intelligent Function		

DH-SD29204T-GN(-W)

IVS (optional)	Tripwire, Intrusion, Abandoned Object Detection, Missing Object Detection,	
Face Detection	Support	
Audio		
Compression	G.711a / G.711Mu(32kbps)/ PCM(128kbps)	
Interface	Built-in Mic	
Network		
Ethernet	RJ-45 (10/100Base-T)	
WIFI	N/A	Support
Protocol	IPv4/ IPv6, HTTP, HTTPS, SSL, TCP/IP, UDP, UPnP, ICMP, IGMP, SNMP, RTSP, RTP, SMTP, NTP, DHCP, DNS, PPPOE, DDNS, FTP, IP Filter, QoS, Bonjour, 802.1x	
ONVIF	ONVIF Profile S	
Max. User Access	20 users	
Smart Phone	iPhone, iPad, Android, Windows Phone	
Auxiliary Interface		
Memory Slot	Micro SD, Max 64GB	
General		
Power Supply	DC12V, POE	DC12V
Power Consumption	10W, 13W (IR on)	
Working Environment	-30°C ~ 60°C / Less than 90% RH	
Dimensions	Φ132.7 (mm) x 116.5 (mm)	
Weight	0.95kg	

DH-SD29204T-GN(-W)

Dimensions



Accessories (Optional)

	
DH-PFA103	DH- PFB302S

Dahua Technology Co., Ltd.

1199 BinAn Road, Binjiang District, Hangzhou, China

Tel: +86-571-87688883

Fax: +86-571-87688815

Email: overseas@dahuatech.com

www.dahuasecurity.com

*Design and specifications are subject to change without notice.

© 2014 Dahua Technology