

## DH-SD29204T-GN(-W)

---

2Megapixel Full HD Network Mini IR PTZ Dome Camera



### Features

- 4x optical zoom
- Support IVS
- H.264 & MJPEG dual-streams encoding
- Max. 25/30fps@1080P(1920×1080) & 50/60fps@720P resolution
- WDR, Day/Night(ICR), Ultra DNR, Auto iris, Auto focus
- Multiple network monitoring: Web viewer, CMS(DSS/PSS) & DMSS
- Max 100°/s pan speed
- Up to 300 presets, 5 auto scan, 8 tour, 5 pattern
- Support intelligent 3D positioning with DH-SD protocol
- Micro SD memory, Built-in Mic, POE/ Wifi optional
- IR Distance up to 30m

# DH-SD29204T-GN(-W)

## Technical Specifications

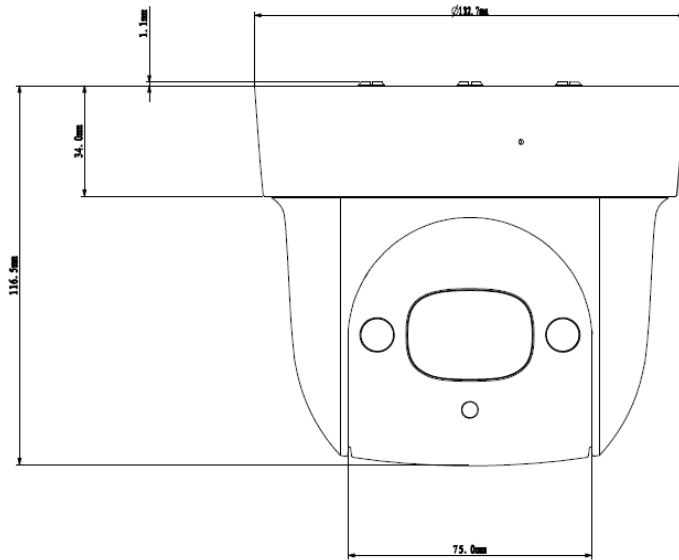
Model	DH-SD29204T-GN	DH-SD29204T-GN-W
<b>Camera</b>		
Image Sensor	1/2.7" CMOS	
Effective Pixels	1920(H) x 1080(V), 2Megapixels	
Scanning System	Progressive	
Electronic Shutter Speed	1/1 ~ 1/30,000s	
Min. Illumination	Color: 0.05Lux@F1.6; B/W: 0.005Lux@F1.6	
S/N Ratio	More than 50dB	
<b>Camera Features</b>		
Day/Night	Auto(ICR) / Color / B/W	
Backlight Compensation	BLC / HLC / WDR	
White Balance	Auto, ATW, Indoor, Outdoor, Manual	
Gain Control	Auto / Manual	
Noise Reduction	Ultra DNR (2D/3D)	
Privacy Masking	Up to 24 areas	
Digital Zoom	16x	
<b>Lens</b>		
Focal Length	2.7mm~11mm(4x Optical zoom)	
Max Aperture	F1.6~ F2.8	
Focus Control	Auto / Manual	
FOV-H	H: 112.5° ~ 39°	
<b>PTZ</b>		
Pan/Tilt Range	Pan: 0° ~ 360° limited; Tilt: 0° ~ 90°, auto flip 180°	
Manual Control Speed	Pan: 0.1° ~100° /s; Tilt: 0.1° ~60° /s	
Preset Speed	Pan: 100° /s; Tilt: 60° /s	
Preset	300	
PTZ Mode	5 Pattern, 8 Tour, Auto Pan, Auto Scan	
Speed Setup	Human-oriented focal length/ speed adaptation	
Power up Action	Auto restore to previous PTZ and lens status after power failure	
Idle Motion	Activate Preset/ Pan/ Scan/ Tour/ Pattern if there is no command in the specified period	
IR Distance	30m	
<b>Video</b>		
Compression	H.264 / MJPEG	
Resolution	1080P(1920×1080)/ 720P(1280×720) / D1(704×576/ 704×480) /CIF (352×288/352×240)	
Frame Rate	Main Stream	1080P(1 ~ 25/30fps)/ 720P (1 ~ 50/60fps)
	Sub Stream	D1/CIF(1 ~ 25/30fps)
Bit Rate	H.264: 448K ~ 8192Kbps, MJPEG: 5120K ~ 10240Kbps	
<b>Intelligent Function</b>		

## DH-SD29204T-GN(-W)

IVS (optional)	Tripwire, Intrusion, Abandoned Object Detection, Missing Object Detection,	
Face Detection	Support	
<b>Audio</b>		
Compression	G.711a / G.711Mu(32kbps)/ PCM(128kbps)	
Interface	Built-in Mic	
<b>Network</b>		
Ethernet	RJ-45 (10/100Base-T)	
WIFI	N/A	Support
Protocol	IPv4/ IPv6, HTTP, HTTPS, SSL, TCP/IP, UDP, UPnP, ICMP, IGMP, SNMP, RTSP, RTP, SMTP, NTP, DHCP, DNS, PPPOE, DDNS, FTP, IP Filter, QoS, Bonjour, 802.1x	
ONVIF	ONVIF Profile S	
Max. User Access	20 users	
Smart Phone	iPhone, iPad, Android, Windows Phone	
<b>Auxiliary Interface</b>		
Memory Slot	Micro SD, Max 64GB	
<b>General</b>		
Power Supply	DC12V, POE	DC12V
Power Consumption	10W, 13W (IR on)	
Working Environment	-30°C ~ 60°C / Less than 90% RH	
Dimensions	Φ132.7 (mm) x 116.5 (mm)	
Weight	0.95kg	

# DH-SD29204T-GN(-W)

## Dimensions



## Accessories (Optional)

	
DH-PFA103	DH- PFB302S

### Dahua Technology Co., Ltd.

1199 BinAn Road, Binjiang District, Hangzhou, China

Tel: +86-571-87688883

Fax: +86-571-87688815

Email: [overseas@dahuatech.com](mailto:overseas@dahuatech.com)

[www.dahuasecurity.com](http://www.dahuasecurity.com)

\*Design and specifications are subject to change without notice.

© 2014 Dahua Technology