

## DH-SD22204T-GN

---

2Mp Full HD Network Mini PTZ Dome Camera



### Features

- 4x optical zoom
- H.264 & MJPEG dual-streams encoding
- Max. 25/30fps@1080P(1920×1080) & 50/60fps@720P resolution
- WDR, Day/Night(ICR), Ultra DNR, Auto iris, Auto focus
- Multiple network monitoring: Web viewer, CMS(DSS/PSS) & DMSS
- Max 100°/s pan speed
- Up to 300 presets, 5 auto scan, 8 tour, 5 pattern
- Support intelligent 3D positioning with DH-SD protocol
- Micro SD memory, POE/ Wifi optional

# DH-SD22204T-GN

## Technical Specifications

<b>Model</b>		<b>DH-SD22204T-GN</b>
<b>Camera</b>		
Image Sensor		1/2.7" CMOS
Effective Pixels		1920(H) x 1080(V), 2Megapixels
Scanning System		Progressive
Electronic Shutter Speed		1/1 ~ 1/30,000s
Min. Illumination		Color: 0.05Lux@F1.6; B/W: 0.005Lux@F1.6
S/N Ratio		More than 50dB
<b>Camera Features</b>		
Day/Night		Auto(ICR) / Color / B/W
Backlight Compensation		BLC / HLC / WDR
White Balance		Auto, ATW, Indoor, Outdoor, Manual
Gain Control		Auto / Manual
Noise Reduction		Ultra DNR (2D/3D)
Privacy Masking		Up to 24 areas
Digital Zoom		16x
<b>Lens</b>		
Focal Length		2.7mm~11mm(4x Optical zoom)
Max Aperture		F1.6~ F2.8
Focus Control		Auto / Manual
Angle of View		H: 93.5° ~ 30.24°
<b>PTZ</b>		
Pan/Tilt Range		Pan: 0° ~ 355°; Tilt: 0° ~ 90°, auto flip 180°
Manual Control Speed		Pan: 0.1° ~ 100° /s; Tilt: 0.1° ~ 60° /s
Preset Speed		Pan: 100° /s; Tilt: 60° /s
Preset		300
PTZ Mode		5 Pattern, 8 Tour, Auto Pan, Auto Scan
Speed Setup		Human-oriented focal length/ speed adaptation
Power up Action		Auto restore to previous PTZ and lens status after power failure
Idle Motion		Activate Preset/ Pan/ Scan/ Tour/ Pattern if there is no command in the specified period
<b>Video</b>		
Compression		H.264 / MJPEG
Resolution		1080P(1920×1080)/ 720P(1280×720) / D1(704×576/ 704×480) /CIF (352×288/352×240)
Frame Rate	Main Stream	1080P(1 ~ 25/30fps)/ 720P (1 ~ 50/60fps)
	Sub Stream	D1/CIF(1 ~ 25/30fps)
Bit Rate		H.264: 448K ~ 8192Kbps, MJPEG: 5120K ~ 10240Kbps
<b>Intelligent Function</b>		
IVS		Tripwire, Intrusion, Abandoned Object Detection, Missing Object

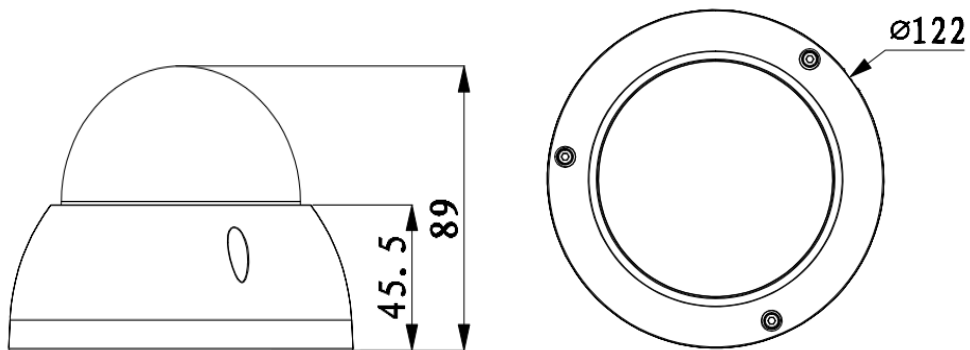
## DH-SD22204T-GN

	Detection,
Face Detection	Support
<b>Network</b>	
Ethernet	RJ-45 (10/100Base-T)
Protocol	IPv4/ IPv6, HTTP, HTTPS, SSL, TCP/IP, UDP, UPnP, ICMP, IGMP, SNMP, RTSP, RTP, SMTP, NTP, DHCP, DNS, PPPOE, DDNS, FTP, IP Filter, QoS, Bonjour, 802.1x
ONVIF	ONVIF Profile S
Max. User Access	20 users
Smart Phone	iPhone, iPad, Android, Windows Phone
<b>Auxiliary Interface</b>	
Memory Slot	Micro SD, Max 64GB
<b>General</b>	
Power Supply	DC12V, POE
Power Consumption	10W
Working Environment	-20°C ~ 60°C / Less than 90% RH
Ingress Protection	IP66 & IK10
Dimensions	Φ132.7 (mm) x 116.5 (mm)
Weight	0.95kg

## DH-SD22204T-GN

---

### Dimensions



---

#### Dahua Technology Co., Ltd.

1199 BinAn Road, Binjiang District, Hangzhou, China

Tel: +86-571-87688883

Fax: +86-571-87688815

Email: [overseas@dahuatech.com](mailto:overseas@dahuatech.com)

[www.dahuasecurity.com](http://www.dahuasecurity.com)

\*Design and specifications are subject to change without notice.

© 2014 Dahua Technology