

# PLZ21C0-D

12 MP 1/1.7" 10.5-42mm Vari-focal Lens



## Technical Specification

**Model** **PLZ21C0-D**

### Parameter

Image Format	1/1.7"	
Focal Length	10.5-42mm	
Lens Pixel	12MP	
Aperture	F1.5	
Mount	CS	
Field Angle (D*H*V)	1/1.7"	W: 46.9°(D)x37.2°(H)x27.6°(V)~T: 14.2°(D)x11.2°(H)x8.4°(V)
Lens Control	Focus	Manual
	Zoom	Manual
	Iris	DC-Iris
TV Distortion	-3%(Wide)	
IR Correction	Yes	
M.O.D.	0.3m (0.98ft)	
Dimension	φ52mmx90.5mm (φ2.05"x3.56")	
Weight	0.32kg (0.71lb)	
Operating Temperature	-30 °C ~+70 °C (-22 °F ~+158 °F)	
Humidity	<90% RH	

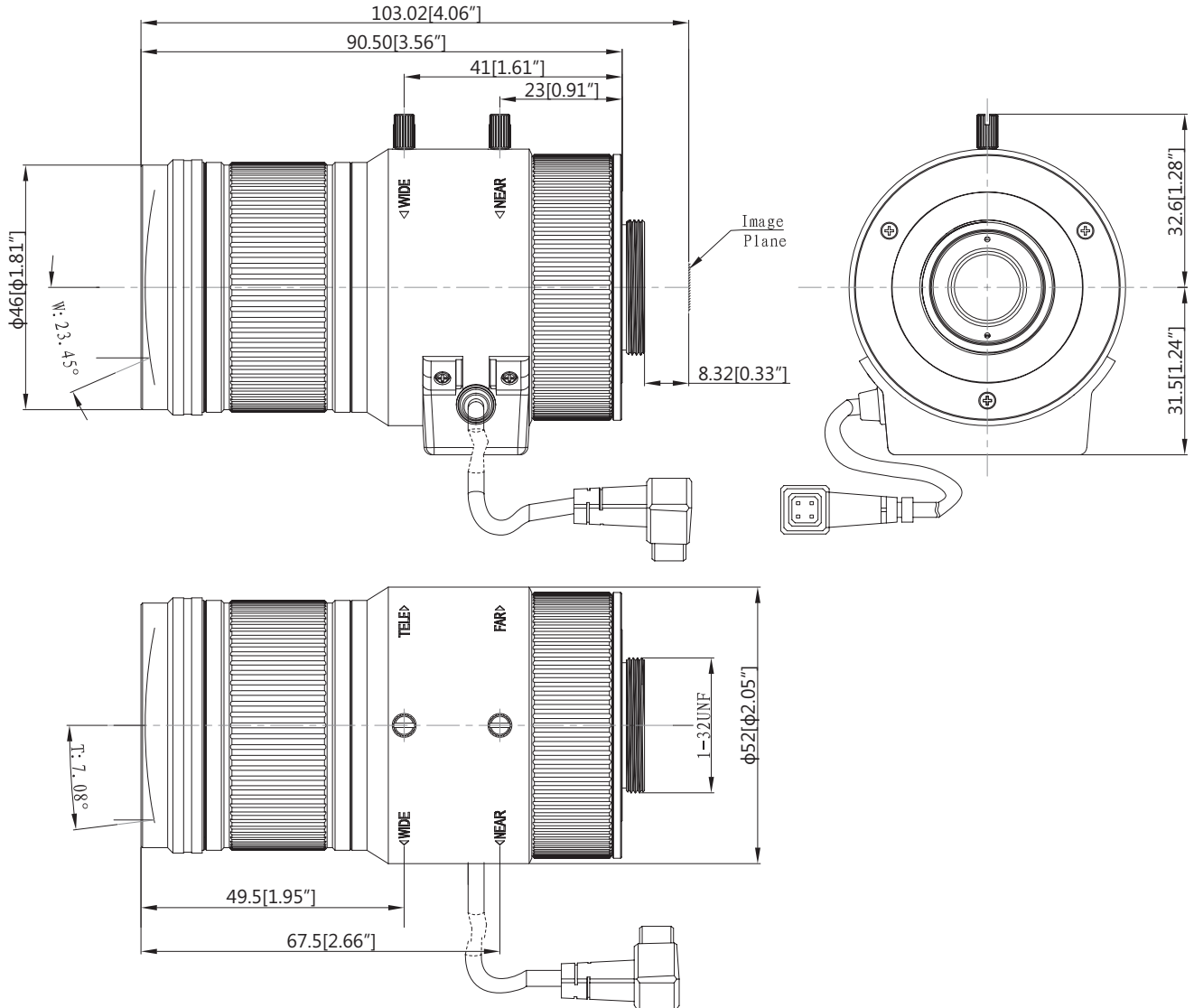
### Certifications

**Certifications** CE (EN55022, EN55024, EN50130-4)  
FCC (ANSI C63.4, FCC Part 15 Subpart B)

## Ordering Information

Type	Part Number	Description
Lens	DH-PLZ21C0-D	12 MP 1/1.7" 10.5-42mm vari-focal lens
	PLZ21C0-D	12 MP 1/1.7" 10.5-42mm vari-focal lens

## Dimensions (mm/inch)



## Package Information

- 12MP 1/1.7" 10.5-42mm vari-focal lens PLZ21C0-D \*1