

DH-PFM906

Integrated Mount Tester



- Supports IPC, HDCVI, AHD, HDTV, CVBS and SDI monitor video display.
- HDMI input and output.
- 12 VDC 2A and USB 5V 2A output.
- 7-in 1080p HD full-angle retina capacitive IPS touchscreen.
- TDR network cable test and cable tracker function.
- Optical power meter function.



System Overview

The Integrated Mount Tester is a highly accurate test tool that aids in on-the-spot installation and maintenance of video surveillance devices. It boasts a 7-in 1080p HD full-angle retina capacitive IPS touchscreen that is easy to use and comfortable to the touch. It supports a host of features needed in modern security construction projects, such as IPC, HDCVI, AHD, HDTV, CVBS and SDI monitor video display, HDMI input and output, TDR network cable test and cable tracker, and digital multimeter and optical power meter test functions. It also supports 12 VDC 2A and USB 5V 2A output. For long lasting battery life and fast overall performance, the power supply has a built-in 7.4 V polymer lithium battery with a capacity of 5000 mAh. This tester also has built-in Wi-Fi, supports the Android operating system and has a supporting app free for download.

Technical Specification

System

Operation System	Android 7.1
Language	13 languages including Chinese and English
Operation mode	Touchscreen
Auto Standby/Power Off	Yes
Keyboard Sound	On/Off
Display Screen	7-in 1080p HD full-angle retina capacitive IPS touchscreen.
Button	Keypad: 14 keys Others: Power and on-off button
LED	1
Wi-Fi	Frequency: 2.4G Protocol: IEEE 802.11a/n/ac
Update	Supports online and local update

Structure&Environment

Net Weight	0.95 kg (2.09 lb)
Product Dimensions	263.7 mm × 160.8 mm × 43.6 mm (10.38" × 6.33" × 1.72") (L × W × H)
Operating Temperature	-10 °C to +55 °C (14 °F to 131 °F)
Operating Humidity	30%~90% (RH)

IPC Test

Camera Access	ONVIF and Dahua private protocol
Resolution	2 MP (only supports 1920 × 1080@25 fps, 1920 × 1080@30 fps); 4 MP; 6 MP; 4K
Initialization	Yes
Image	Live view, snapshot and recording, zoom, and H.264/H.265 decoding
Function Control	Modify the IPC resolution, IP address and account password. Control IPC to restore factory defaults

Analog Video Test

Video Format	HDCVI; HDTV; AHD; CVBS (NTSC, PAL)
Resolution	HDCVI: 720p@25/30/50/60 fps, 1080p@25/30 fps, 2560 × 1440@25/30 fps, 2880 × 1620@25/30 fps HDTV: 720p@25/30/50/60 fps, 1080p@25/30 fps, 2048 × 1536@18 fps, 2560 × 1440@25/30 fps AHD: 720p@25/30 fps, 1080p@25/30 fps, 2048 × 1536@18/25/30 fps, 2560 × 1440@25/30 fps CVBS: 720 × 576@25 fps, 720 × 480@30 fps
Function Control	OSD menu; PTZ control
Image	Live view, snapshot and recording, zoom
Video Signal Generator	PAL; NTSC video test signal HDCVI; HDTV; AHD video test signal (720p/1080p)

UTC

UTC	Switches from CVBS mode to CVI/TVI/AHD mode; Switches from one HD format (up to 1080p) to another HD format
-----	---

DMM

DC Voltage	Limit: 2/20/200/600 V Reading range: ±19999 Min. Resolution: 0.1 mV Accuracy: ±0.1%+8
AC Voltage	Limit: 20/200/600 V Reading range: ±1999 Min. Resolution: 1 V Accuracy: ±1.2%+3
DC Current	Limit: 20/200/2000 mA Reading range: ±19999 Min. Resolution: 1 uA Accuracy: ±0.1%+8*
AC Current	Limit: 20/200/2000 mA Reading range: ±1999 Min. Resolution: 1 uA Accuracy: ±1.2%+3
Resistance Test	Limit: 2 kΩ/20 kΩ/200 kΩ/2 mΩ/20 mΩ Reading range: 0–19999 Min. Resolution: 0.1 Ω Accuracy: ±0.1%+8
Capacitance Test	Limit: 2 nF/20 nF/200 nF/2 uF/20 uF/200 uF/2 mF/20 mF Reading range: 0–1999 Min. Resolution: 1 pF Accuracy: ±4%+5
Diode Voltage Drop	Limit: 2 V Reading range: 0–19999 Min. Resolution: 0.1 mV Accuracy: ±0.1%+20
Continuity Test	Limit: 2 kΩ Reading range: 0–19999 Min. Resolution: 0.1 Ω Accuracy: ±0.1%+20

Others

SDI Test	Resolution: 720p@60 fps /1080p@60 fps/1080i@60 fps
RS-485 Control	Communication protocol: More than 30 protocols including Pelco-D/P, Samsung, Panasonic, Lilin, and Yaan Baud Rate: 150 bps, 300 bps, 600 bps, 1200 bps, 2400 bps, 4800 bps, 9600bps, 19200 bps
Wireless	Wi-Fi Hotspot
Cable Test	Network Cable Test; Break and Short Circuit Test; Cable Tracing
HDMI Test	1-ch HDMI video input (720p and 1080p) ; 1-ch HDMI video output, max. 4k@30 fps
Audio Test	1-ch audio input, and 1-ch audio output
Power Supply for Camera	12 VDC 2A
Network Test	Features IP address scanning, PING test, link scan and other functions
Voltage Test	Displays the size of PoE/PSE voltage and line connection
Visible Red Light Source	Emits a visible red light to detect various types of faults in the optical fiber line such as breaks, cracks, and bends.

Protocol Code Acquisition	Built-in serial port tool, can receive and display RS485 protocol code data sent by control device, and can also send hexadecimal codes.
Optical Power Meter	Detector Type: InGaAs Calibrated Wavelength: 1625/1550/1480/1310n/1300/850 nm Power Test Range: -70 dBm to +10 dBm Measurement Accuracy: <±3% dB (-10 dBm, +22 °C/+71.6 °F); <±5% dB (FS, +22 °C/+71.6 °F) Resolution: Linear: 0.1%, logarithmic : 0.01 dBm Connector: FC/PC

Port

Power	1 × charge port, 12 VDC 1 × power output port, 12 VDC 2A
Audio Port	1 × audio input port, 1 × audio output port
USB	1 × type-A port
Network Port	2 × RJ45 10M/100M/1G network port
SD Card	1 × micro SD card slot
HDMI	1 × HDMI input port 1 × HDMI output port
RS-232	NA
RS-485	1
VLS	1
OPM	1
Multimeter	4

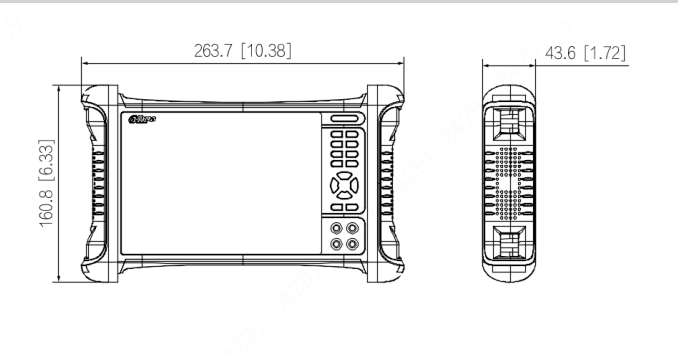
Power Supply

Power Supply	12 VDC 1A/POE 48 V–0.5 A
Battery	Replaceable 7.4 V polymer lithium battery with a capacity of 37 Wh, and a working time of about 8 hours

Certifications

Certifications	CE: EN 62368-1, EN 300 328, EN 301 489, EN IEC 62311 FCC: ANSI C63.4: 2014, FCC Part 15 Subpart B
----------------	--

Dimensions (mm[inch])



Application

