

PFL0550-E6D

6 MP 1/2.7" 5-50mm Vari-focal Lens



Technical Specification

Model PFL0550-E6D

Parameter

Image Format	1/2.7"	
Focal Length	5-50mm	
Lens Pixel	6MP	
Aperture	F1.6	
Mount	CS	
Field Angle (D*H*V)	1/2.7"	W: 65.7°(D)x49.6°(H)x36.9°(V)~T: 5.2°(D)x7°(H)x5.2°(V)
	1/2.9"(3:2)	W: 58.1°(D)x47°(H)x33.2°(V)~T: 8.1°(D)x6.6°(H)x4.7°(V)
	1/4"	W: 42°(D)x33°(H)x25°(V)~T: 5.9°(D)x4.7°(H)x3.6°(V)
Lens Control	Focus	Manual
	Zoom	Manual
	Iris	DC-iris
IR Correction	Yes	
M.O.D.	0.5m (1.64ft)	
Dimension	φ44mmx85.7mm (φ1.73"x3.37")	
Weight	0.2kg (0.44lb)	
Operating Temperature	-30 °C ~+70 °C (-22 °F ~+158 °F)	
Humidity	<90% RH	

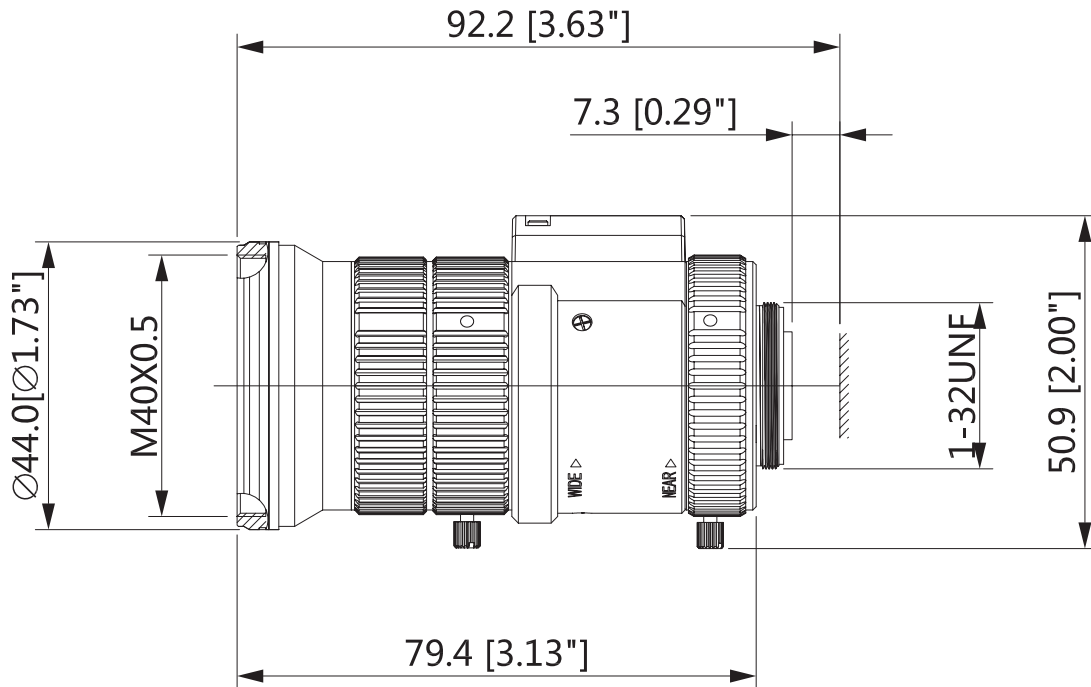
Certifications

Certifications	CE (EN55032, EN55024, EN50130-4) FCC (47 CFR Part 15 Subpart B)
----------------	--

Ordering Information

Type	Part Number	Description
Lens	DH-PFL0550-E6D	6 MP 1/2.7" 5-50mm vari-focal lens
	PFL0550-E6D	6 MP 1/2.7" 5-50mm vari-focal lens

Dimensions (mm/inch)



Application



Package Information

- 6 MP 1/2.7" 5-50mm vari-focal lens DH-PFL0550-E6D *1