

# DH-PFH610N-IR-W

## 14" Wiper Housing



### Features

- 14" wiper housing with IR & wiper, provides all-weather protection for box cameras and lens;
- IP66 water-proof;
- All-aluminum shell design, built-in heating and cooling system, windows adopt water-proof films, 0-100m IR and support remote control of IR light and wiper function by RS485;
- Aesthetic design.

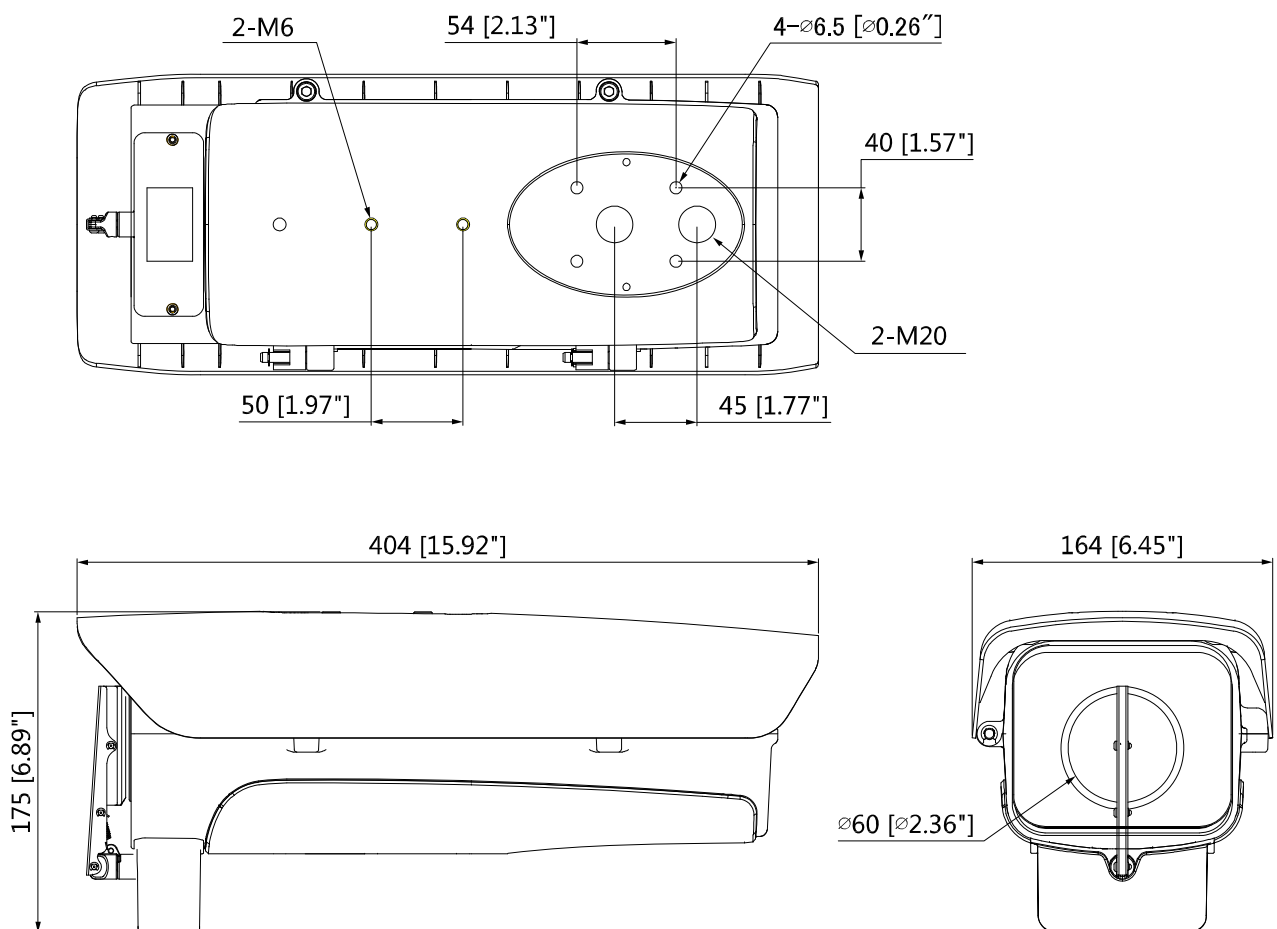
## Technical Specifications

<b>Model</b>		<b>PFH610N-IR-W</b>
<b>General</b>		
Inside Dimension(LxWxH)		255mmx90mmx70.5mm(10.04"x3.54"x2.78") 215mmx90mmx83mm(8.46"x3.54"x3.27")
Window Dimension		φ59.4mm(φ2.34")
Operating Temperature	Set	-40°C ~+60°C(-40°F ~+140°F)
	Heater	ON: 5±5 °C /OFF: 15±5 °C
	Cooler	ON: 37±5 °C /OFF: 20±5 °C ON: 5±5 °C /OFF: 15±5 °C
IR Distance		0~100m(0~328.08ft)
RS485 Control		Yes, use RS485 to control IR light & wiper
Wiper		Yes
Power Supply		AC24V/5A
Power Consumption(without camera)		Max. 70W
<b>Environmental</b>		
Operating Temperature		-40°C ~60°C(-40°F ~+140°F)
Humidity		<90% RH
Ingress Protection		IP66
Vandal Resistance		N/A
Corrosion Protection		N/A
<b>Construction</b>		
Material		Aluminum(case)&PC(others)
Dimension(LxWxH)		404mmx164mmx175mm(15.91"x6.46"x6.89")
Weight		3.5kg(7.72lb)
<b>Others</b>		
Certification		CE, FCC, ICES
Applicable Model		Please see "Accessory Selection"

### Order Information

Type	Part Number	Description
Housing Series	DH-PFH610N-IR-W	14" wiper housing with IR
	PFH610N-IR-W	14" wiper housing with IR
Optional Brackets	PFB604W	Wall-mount bracket
	PFB601W	Plane-mount bracket
	PFB600W	Ceiling-mount bracket
	PFA162	Support three-axis rotation for housing installation

### Dimensions (mm/inch)



## Application



## Package Information

- 14" wiper IR housing \*1
- Installation instruction \*1
- M20 water joint \*2
- 1/4/20×8UNC screw \*2
- S5.0 wrench \*1
- Connecting line(link camera to IR driver board) \*1