

# PFC620-D1

Special Cooling Fan for Outdoor Surveillance Box



## Features

- Material: SECC
- Special cooling fan for outdoor surveillance box
- Optional fan for high temperature heat dissipation

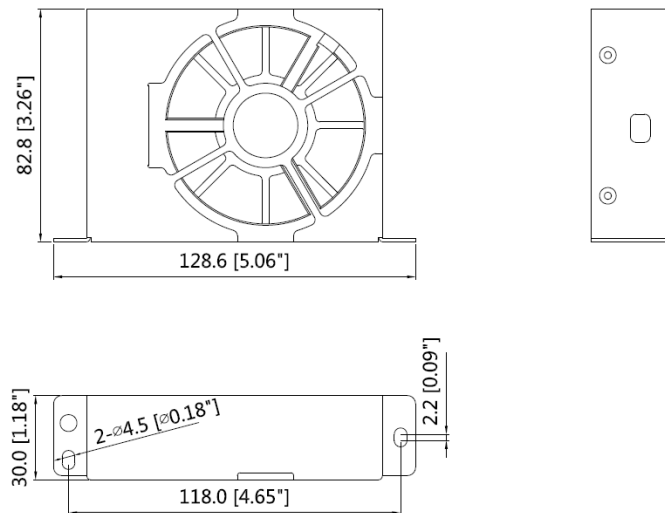
### Technical Specifications

<b>Model</b>	<b>PFC620-D1</b>
Input voltage	DC12V
Revolution	2000 ± 10% RPM
Noise	21.6 dB(A)
Wind quantity	26.8 CFM
Wind pressure	0.078 Inch H2O
Power	1.44 Watt
Lifetime	50000 hours at 25°C / 65% RH
Casing	SECC
Color	Black
Dimensions	82.8mmx128.6mmx30mm(4.72"x4.72"x1.0")
Net Weight	300g(0.73lb)

### Order Information

Type	Part Number	Description
Camera Mount Series	DH-PFA142	Outdoor surveillance box
	PFA142	Outdoor surveillance box
	<b>PFC620-D1</b>	<b>Special cooling fan for outdoor surveillance box</b>

### Dimensions (mm/inch)



### Package Information

- Special cooling fan for outdoor surveillance box \*1