



Features

- Aesthetic design
- Wall mount bracket
- Material: stainless steel

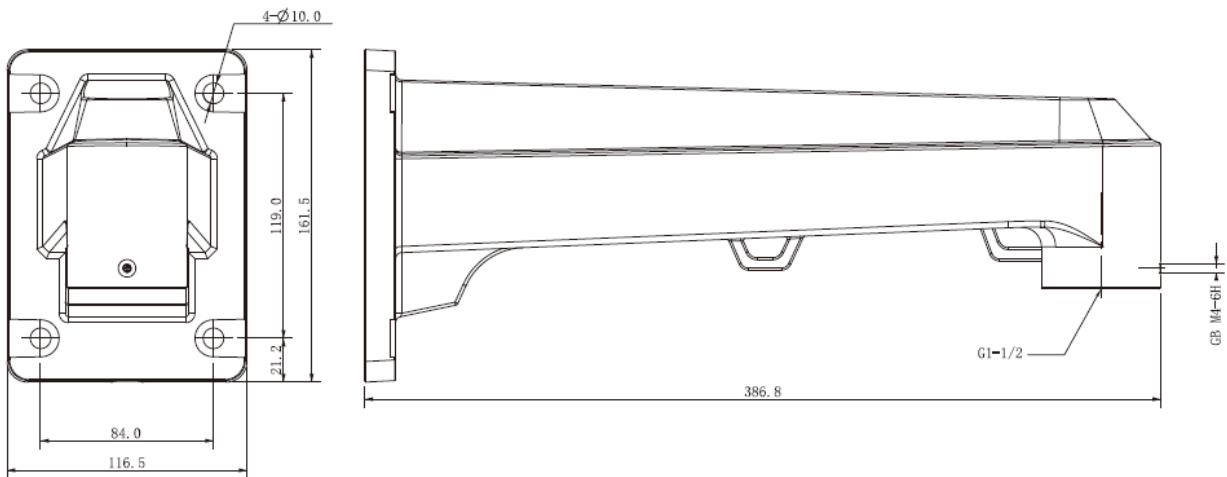
Technical Specifications

Model	DH-PFB710W
General	
Material	Stainless Steel
Dimension(WxHxD)	386.8mmx161.5mmx116.5mm (15.23"x6.36"x4.59")
Weight	3.3kg(7.28lb)
Load Bearing	30kg(66.14lb)
Color	White
Operating Temperature	-40°C ~ +60°C (-40°F ~ +140°F)
Humidity	<90% RH
Applicable Model	PSDW Series

Order Information

Type	Part Number	Description
Camera Mount	PFB710W	Wall mount bracket _Neutral, no brand

Dimensions (mm/inch)



Package Information

- Wall mount bracket *1