

DH-PFB604W

14" Housing Wall Mount Bracket



Features

- Material: aluminum
- Wall mount bracket
- Hidden line design
- Aesthetic design

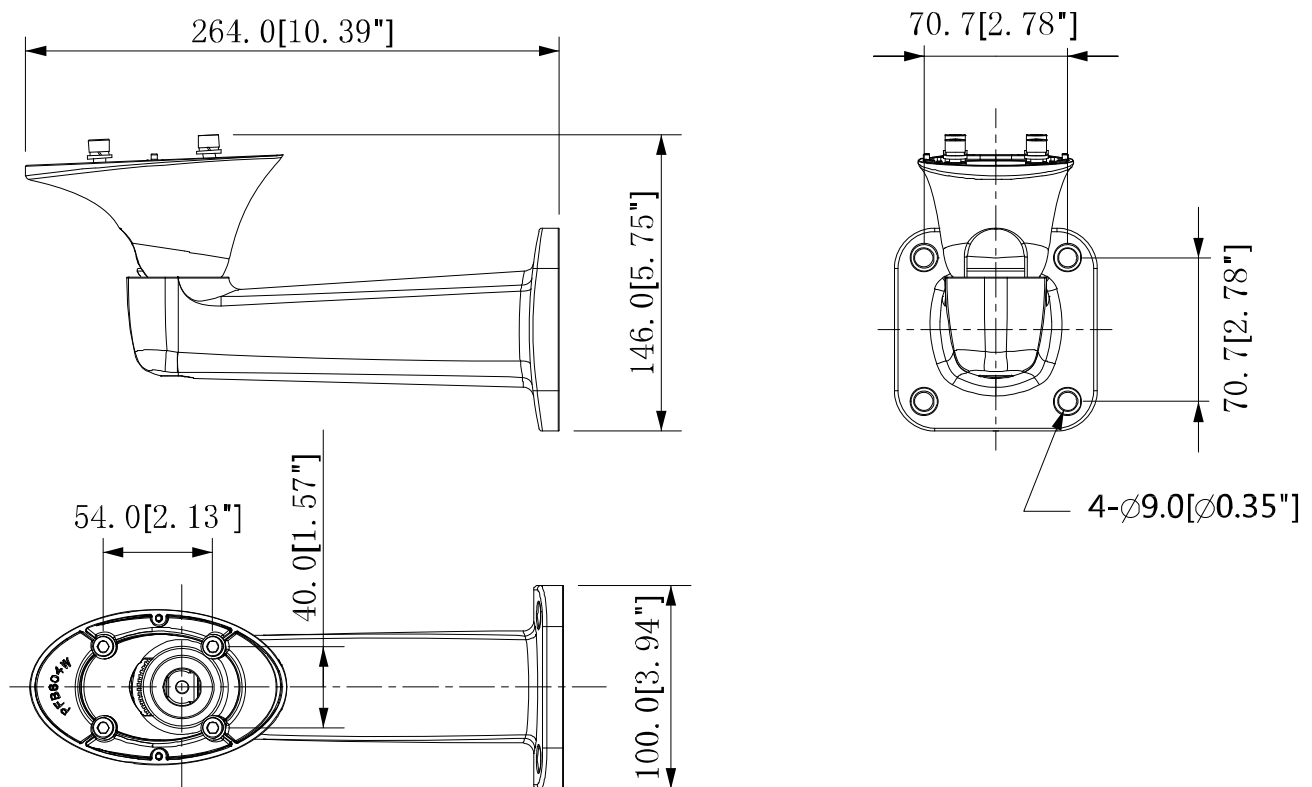
Technical Specifications

Model	DH-PFB604W
General	
Material	Aluminum
Dimension	264.0mmx100.0mmx146.0mm (10.39"x3.94"x5.75")
Inch Thread	M20(G1/2")
Load Bearing	4.0kg(8.82lb)
Weight	0.56kg(1.23lb)
Color	White
Operating Temperature	-40°C ~ +60°C (-40°F ~ +140°F)
Humidity	0~90% RH
Applicable Model	Please see "Accessory Selection"

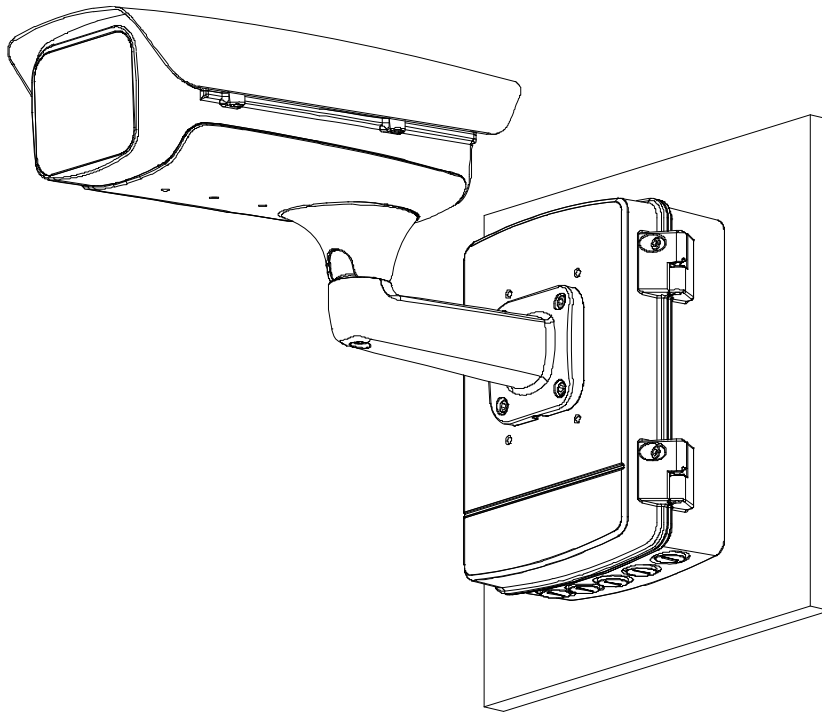
Order Information

Type	Part Number	Description
Camera Mount	DH-PFB604W	Housing wall mount bracket
	PFB604W	Housing wall mount bracket

Dimensions (mm/inch)



Application



Package Information

- Housing wall mount bracket *1
- ST6x45 screw *4
- Plastic anchor *4
- Wrench *1