

DH-PFB305W

Wall Mount Bracket



Features

- Neat & Integrated design.
- Wall mount bracket.
- Material: Aluminum.
- Safety rope hook attached, secure and reliable.

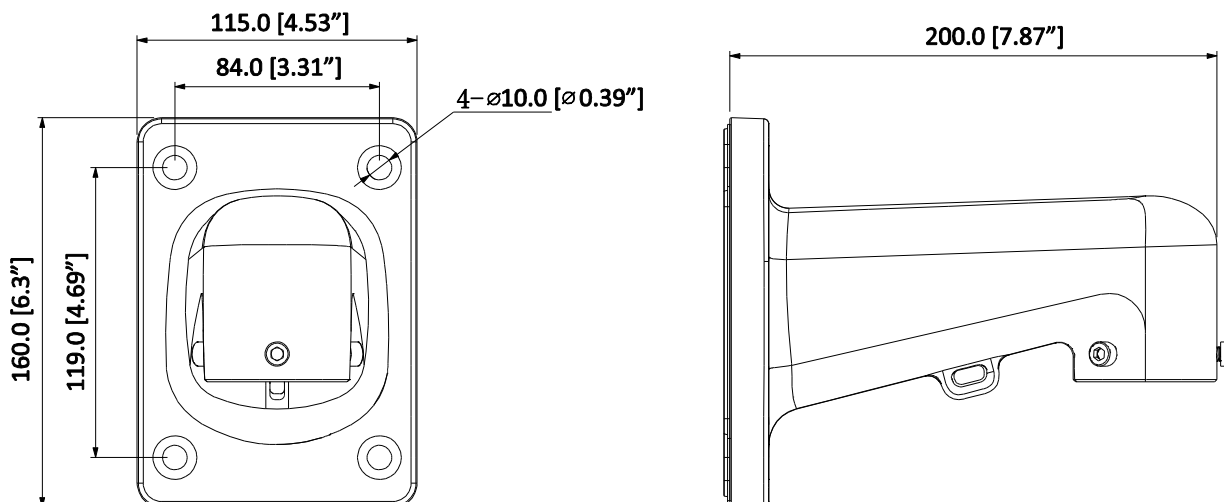
Technical Specifications

Model	DH-PFB305W
General	
Material	Aluminum
Dimension(WXHXD)	200mmx160mmx115mm(7.87"x6.3"x4.53")
Weight	0.87kg(1.92lb)
Load Bearing	5.0kg(11.02lb)
Color	White
Operating Temperature	-40°C ~60°C(-40°F ~140°F)
Humidity	<90% RH
Applicable Model	DH-PFA106, DH-PFA120, DH-PFA150, DH-PFA151

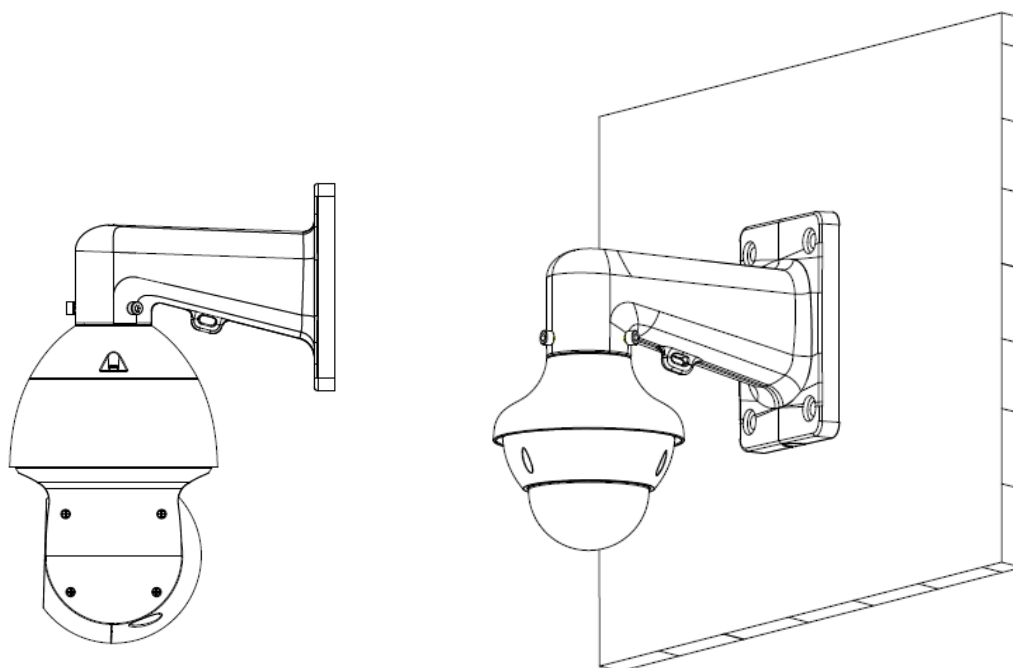
Order Information

Type	Part Number	Description
Camera Mount Series	DH-PFB305W	Wall mount bracket _ Dahua brand
	PFB305W	Wall mount bracket _Neutral, no brand

Dimensions (mm/inch)



Application



Package Information

- Wall mount Bracket *1
- M6 screw *3
- Wrench *1